

Shadow

Chair & barstool

designed by BORIS BERLIN DESIGN



Beauty is not always only skin deep.
A slender wooden chair, simple as a pictogram,
stacked on a metal frame that echoes the shape
of the wooden one like its shadow.

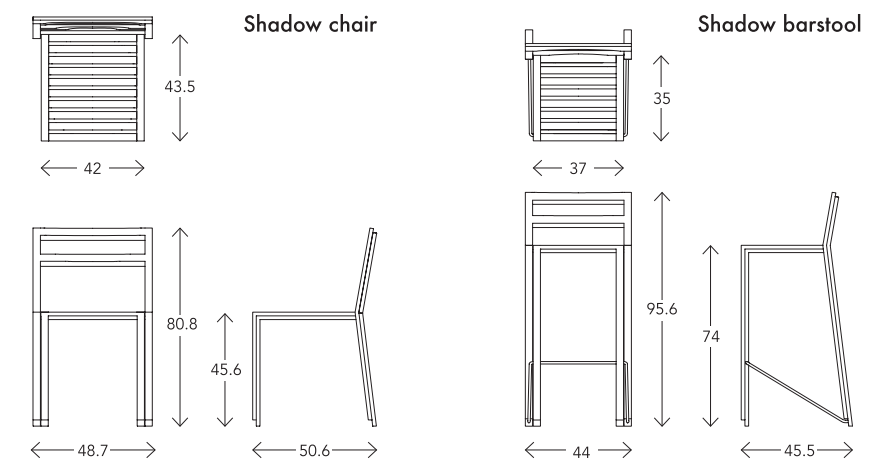
Shadow – a robust stacking side chair and a barstool with the tactile advantages of sitting on the wood, combined with the strength of a steel tube.



The metal frame serves as an exoskeleton, which allows the wooden chair to get this slim.



Yes, it stacks.



Technical data.

Materials:

Powder-coated steel frame (RAL 9005), oiled or lacquered solid oak wood.

Process:

Laser-cut steel profile is thoroughly welded into a solid monolithic frame, which acts like a bearing construction, while oak wood is processed by using the high precision CNC technology and performs intermediary function between the seater and the steel frame.

Shadow is available in:

Indoors

1 - oil bleached solid oak wood

Outdoors

2 - lacquered, bleached solid oak wood

