

Bollo ARMCHAIR

Designed with Andreas Engesvik

The iconic *Bollo* combines deep comfort with clean lines. Inspired by the distinct tubular frames of mid-century lounge chairs, its generous cushioning wraps and softens the metal frame.



DIMENSIONS

TOTAL HEIGHT	71.0 cm / 28 in
TOTAL WIDTH	81.0 cm / 31.9 in
TOTAL DEPTH	81.0 cm / 31.9 in
SEAT HEIGHT	42.5 cm / 16.7 in
ARMREST HEIGHT	62.0 cm / 24.4 in
SEAT DEPTH	54.0 cm / 21.3 in

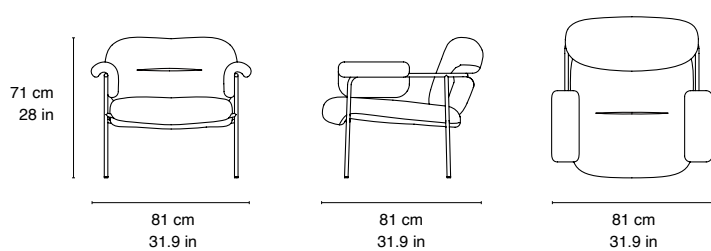
MATERIALS

FRAME	Wadding
LEGS	Powder coated steel
SEAT	Removable upholstered cushion in foam and wadding
BACKREST	Removable upholstered cushion in foam and wadding
ARMREST	Removable upholstered cushion in foam and wadding
UPHOLSTERY	Leather, fabric, sheepskin
FOAM OPTIONS	CMHR
FURNITURE FEET	Plastic gliders (more options available)

OTHER SPECIFICATIONS

WEIGHT KG	15 kg / 33 lbs
TOTAL WEIGHT WITH PACKAGING	21,5 kg / 47.3 lbs
PACKAGE MEASUREMENT WxDxH CM/INCH	85x85x75 cm / 33.4x33.4x29.5 in
ASSEMBLY INFORMATION	Delivered fully assembled
COUNTRY OF ORIGIN	Poland

BOLLO ARMCHAIR



WARRANTY, CARE AND MAINTENANCE

[More information on our website](#)

STANDARD UPHOLSTERY OVERVIEW

CONTACT FOGIA FOR OPTIONAL UPHOLSTERY.

[More information in our asset library](#)

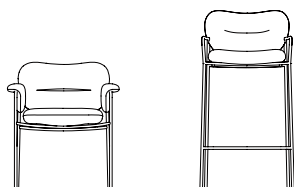
STANDARD FRAME COLOR OVERVIEW

CONTACT FOGIA FOR OPTIONAL FRAME COLORS.

[More information in our asset library](#)

RELATED PRODUCTS

BOLLO DINING CHAIR, BOLLO BARSTOOL



Bollo BARSTOOL

Designed with Andreas Engesvik

Sprung from a need for a comfortable and stylish bar stool, the *Bollo Barstool* is the latest addition to the Bollo family. The barstool combines deep comfort with an iconic design expression and is a guarantee for a good experience at any bar or counter. *Bollo Barstool* comes in two heights.



DIMENSIONS

SEE DIMENSIONS CONNECTED TO LINEDRAWINGS

TOTAL HEIGHT	High: 98.0 cm / 38.6 in Low: 88.0 cm / 34.6 in
TOTAL WIDTH	High: 50.0 cm / 19.7 in Low: 50.0 cm / 19.7 in
TOTAL DEPTH	High: 55.0 cm / 21.7 in Low: 55.0 cm / 21.7 in
SEAT HEIGHT	High: 75 cm / 29.5 in Low: 65 cm / 25.6 in
ARMREST HEIGHT	High: 81.5 cm / 32.1 in Low: 71.5 / 28.1 in
SEAT DEPTH	High: 36.0 cm / 14.2 in Low: 36.0 cm / 14.2 in

MATERIALS

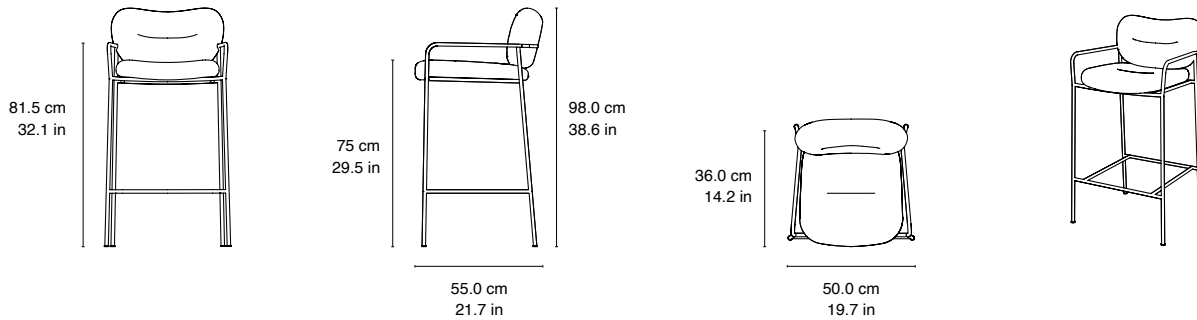
FRAME	Wadding
LEGS	Powder coated steel
SEAT	Removable upholstered cushion in foam and wadding
BACKREST	Removable upholstered cushion in foam and wadding
ARMREST	Removable upholstered cushion in foam and wadding
UPHOLSTERY	Leather, fabric, sheepskin
FOAM OPTIONS	CMHR
FURNITURE FEET	Plastic gliders (more options available)

OTHER SPECIFICATIONS

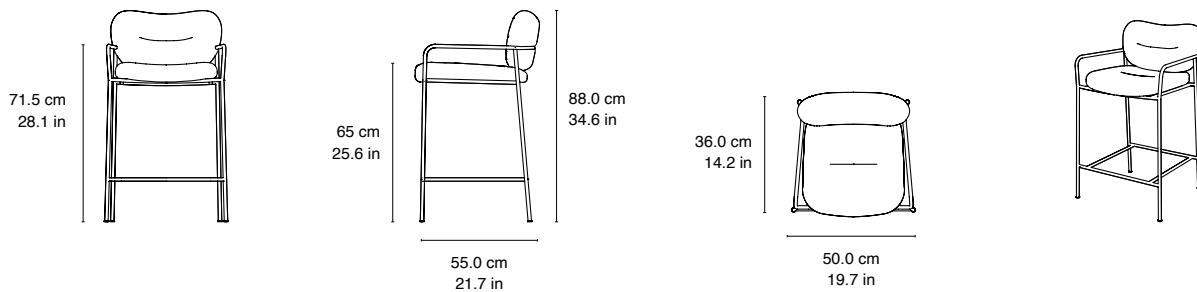
WEIGHT	High: 6.8 kg / 14.99 lbs Low: 6.5 kg / 14.33 lbs
ASSEMBLY INFORMATION	Delivered fully assembled
COUNTRY OF ORIGIN	Poland

BOLLO BARSTOOL

High version



Low version



WARRANTY, CARE AND MAINTENANCE

[More information on our website](#)

STANDARD UPHOLSTERY OVERVIEW

CONTACT FOGIA FOR OPTIONAL UPHOLSTERY.

[More information in our asset library](#)

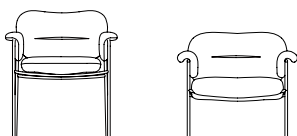
STANDARD FRAME COLOR OVERVIEW

CONTACT FOGIA FOR OPTIONAL FRAME COLORS.

[More information in our asset library](#)

RELATED PRODUCTS

BOLLO DINING CHAIR, BOLLO ARMCHAIR



UPHOLSTERY	PRODUCER	Info	Retail	MF	Club 5	Cal 117	Prop 65	ALEX	BARBA	BLOCK	BOLLO	CAMPO	DINI	EMBRACE	FRAGMENT	HOOD	JORD	LYRA	MAME	MORRIS	NICHE	POPPY	RETREAT	SLING	SUPERSOFT	TIKI	TONDO	VELAR	UTILITY
TERRAIN	J	KIRKBY DESIGN				*		*	*	*	*	*	*	*	*		*	*	*	*	*	*	*	*	*	*	*	*	*
STONE	E	KIRKBY DESIGN	5		*			*	*	*	*	*	*	*	*		*	*	*	*	*	*	*	*	*	*	*	*	*
TONICA 2	F	KVADRAT			*	*	*	*	*	*	*	*	*	*	*		*	*	*	*	*	*	*	*	*	*	*	*	*
TONUS 4	F	KVADRAT			*	*	*	*	*	*	*	*	*	*	*		*	*	*	*	*	*	*	*	*	*	*	*	*
UNIFORM MELANGE	I	KVADRAT	3		*	*	*	*	*	*	*	*	*	*	*		*	*	*	*	*	*	*	*	*	*	*	*	*
VIDAR 4	G	KVADRAT			*	*	*	*	*	*	*	*	*	*	*		*	*	*	*	*	*	*	*	*	*	*	*	*
WOOLY/ WOOLY PLUS	D	NEVOTEX			*	*	*	*	*	*	*	*	*	*	*		*	*	*	*	*	*	*	*	*	*	*	*	*
YOREDALE	E	CAMIRA			*	*	*	*	*	*	*	*	*	*	*		*	*	*	*	*	*	*	*	*	*	*	*	*
ZERO	G	SAHCO			*	*	*	*	*	*	*	*	*	*	*		*	*	*	*	*	*	*	*	*	*	*	*	*
Leather																													
DUNES		SOERENSEN				*	*	*	*-9	*	*	*	*	*	*		*	*	*	*	*	*	*	*	*	*	*	*	*
ELMOSOFT		ELMO			*	*	*	*	*	*	*	*	*	*	*		*	*	*	*	*	*	*	*	*	*	*	*	*
ELMOTIQUE		ELMO			*	*	*	*	*	*	*	*	*	*	*		*	*	*	*	*	*	*	*	*	*	*	*	*
SEVILLA		CAMO			*	*	*	*	*	*	*	*	*	*	*		*	*	*	*	*	*	*	*	*	*	*	*	*
SHADE		SOERENSEN			*	*	*	*	*	*	*	*	*	*	*		*	*	*	*	*	*	*	*	*	*	*	*	*
SHEEPSKIN		SKANDILOCK			*				*-8	*	*	*	*	*	*		*	*	*	*	*	*	*	*	*	*	*	*	*
VINTAGE OTHERS		NEVOTEX	9		*	*	*	*	*-10	*	*	*	*	*	*		*	*	*	*	*	*	*	*	*	*	*	*	*
VINTAGE RANGERS		NEVOTEX			*	*	*	*	*-8	*	*	*	*	*	*		*	*	*	*	*	*	*	*	*	*	*	*	*

- Can contain FR in the fibre
1. Recommended only for furnitures with removable covers in home environment
 2. Not suitable for models with stitched edges on frames and cushions
 3. Stretch
 4. This is a stripe. Not recommended for products with extra stitching or heavily curved, concave forms.
 5. Easy clean/ just use water and a soft shite cloth
 6. Artificial leather, only suitable for a limited numbers of items in the collection, contact Fogia.
 7. Horizontally woven stripe
 8. Only approved for Barba Club armchair
 9. Colors: Cognac, Dark Chocolate, Olive, Tabacco, Concrete, Black
 10. Only approved for Barba Club