



SQUBE on base

CEILING SURFACE



1.0 PAR16

PAR16 max.35W | GU10
100-240VAC | 50-60Hz
aluminium powder coated

0.43kg IP20 0.9°

90°

	CODE
	144220W0
	144220B0

OPTIONAL

PAR16 LED GU10 7W
phase-cut dim

	CODE
2700K	901228W2
3000K	901228W4
1800-2850K	901229S9

more lamps and specs on page 577

SQUBE ON BASE 1.0

03-Jul.-2018

1.0 LED

LED 6W | 220-240VAC | 50-60Hz | COB 3-step | incl. PS | phase-cut dim
 CE IP20 0.3m 36° P 90°

white texture	144264W
black texture	144264B

LIGHT COLOUR

2700K >80CRI 350lm	2
3000K >80CRI 380lm	4
1800-3000K >80CRI 350lm	9

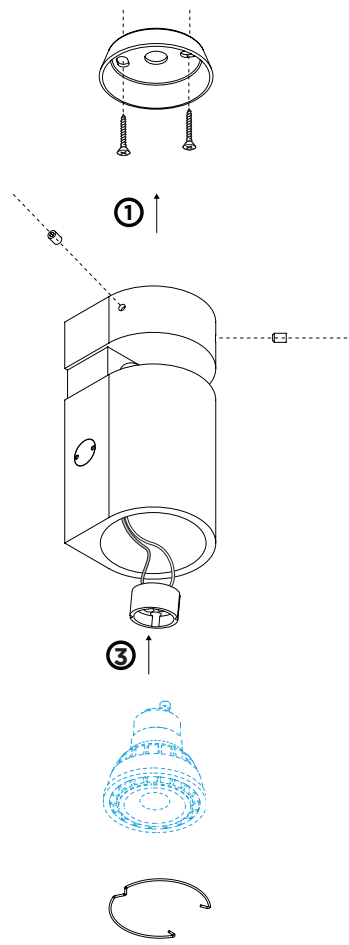
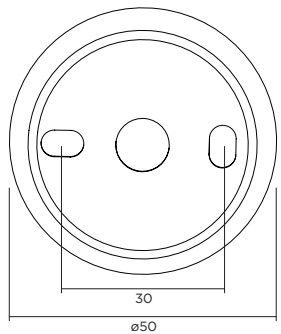
1.0 PAR16

PAR16 max. 35W | GU10 | 100-240VAC | 50-60Hz
 CE IP20 0.9m 36° P 90°

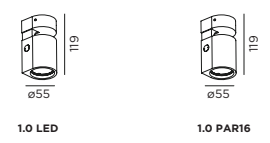
white texture	144220W0
black texture	144220B0

OPTIONAL
 for PAR16 lamps see our catalogue

base plate dimensions



DIMENSIONS

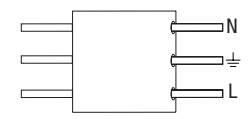


MOUNTING INSTRUCTION

- 1 Remove the screws, put the cables through the opening and mount the base on the ceiling.

POWER CONNECTION

- 2 Interior: connection: STANDARD version



Mount the fixture again with the screws on the base.

- 3 For PAR16: mount the lamp.

The light source of the integrated LED is not replaceable;
 When the light source reaches its end of life the whole luminaire shall be replaced.

Caution, risk of electric shock