

## Lantern Ceiling Lamp

Expanding into every aspect of the contemporary interior, the Lantern Wall Lamp and Lantern Globe Lamps complete this iconic series. Both lamps feature a simple black steel support and fixing that allows the soft illumination of the rippled glass globe to shine brightest. Inspired by traditional Japanese rice paper lanterns, these additions allow you to take the series into all corners of the home – from bedside to the entry, kitchen to the reading room.

### Product highlights

- Part of the Lantern Family, which includes a table lamp, floor lamp, wall lamp, ceiling lamp and pendant lamp.
- Compliant with CE, RCM and ETL standards, making it suitable for use in both EU, AU and US Markets.
- Available in two sizes.
- Ideal for use in both public and private settings.



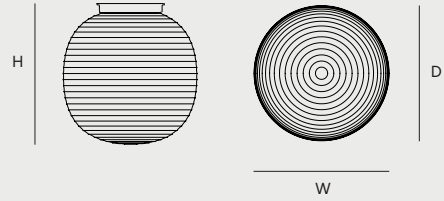
---

<b>Product Type</b>	Ceiling Lamp, Lighting
<b>Designer</b>	Anderssen & Voll, 2015
<b>About the Designer</b>	Established in 2009, Anderssen & Voll create desirable and ground-breaking objects for the home environment. An approach shaped by their previous roles within pioneering Norwegian firm Norway Says, with Torbjørn Anderssen and Espen Voll being founders and running partners. Their interest in cultural forms can be seen within their elegant and understated pieces for some of Europe's most renowned brands.
<b>Environment</b>	Indoor
<b>Country of Origin</b>	PRC
<b>Assembly Requirements</b>	The shade should be secured to the base.
<b>Material</b>	The Lantern Ceiling Lamp features mouth-blown opaline glass and a powder-coated metal base. The glass shade is secured to the base by twisting the shade into place.
<b>Light Source included</b>	No
<b>Cleaning &amp; Care</b>	Turn off the electricity before cleaning the lamp. Wipe the product with a soft dry cloth. Do not use any abrasive cleaning tools, and never use strong cleaning agents such as household glass cleaner, white spirit, or turpentine.

**Dimensions**

**Small**  
Height: 220 mm / 8.7"  
Width: 200 mm / 7.9"  
Depth: 200 mm / 7.9"

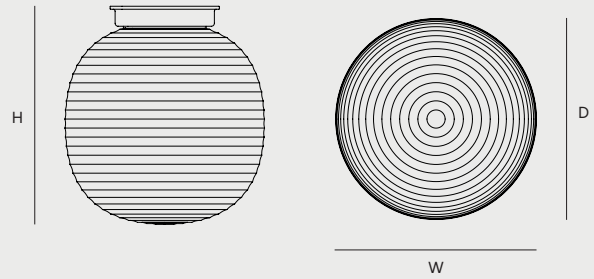
**Medium**  
Height: 320 mm / 12.6"  
Width: 300 mm / 11.8"  
Depth: 300 mm / 11.8"



**Packaging Dimensions**

**Small**  
Height: 270 mm / 10.6"  
Width: 430 mm / 16.9"  
Depth: 310 mm / 12.2"

**Medium**  
Height: 320 mm / 12.6"  
Width: 540 mm / 21.3"  
Depth: 410 mm / 16.1"



**Weight**

**Small**  
21 kg / 4.6 lbs

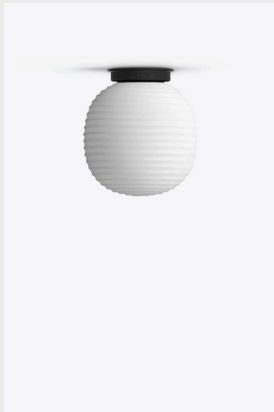
**Medium**  
4.3 kg / 9.5 lbs

**Weight Incl Packaging**

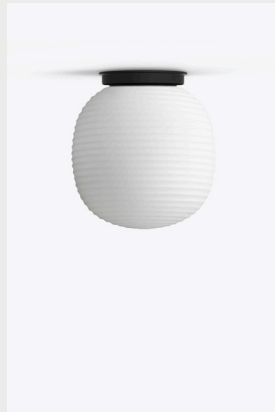
**Small**  
2.5 kg / 5.5 lbs

**Medium**  
4.7 kg / 10.4 lbs

**Versions**



**Item No:** 20613  
**Variant:** Lantern Ceiling Lamp, Small



**Item No:** 20623  
**Variant:** Lantern Ceiling Lamp, Medium

---

<b>Lamp Rating</b>	Voltage	CE: 220-240 V, ETL: 110-120 V
	Frequency	~ 50/60 Hz
	IP-Rating	IP20
	Classification	Class II

---

<b>Light Source Recommendation</b>	<b>Small</b>	
	Lamp Base	CE: E14, ETL: E12
	Type	LED
	Max Voltage	7 W
	<b>Medium</b>	
	Lamp Base	CE: E27, ETL: E26
Type	LED	
Max Voltage	11 W	

---

<b>Tests &amp; Certificates</b>	<b>Lighting Certifications</b>
	CE, RCM, ETL, CCC

---

High res images and 2D/3D files available for download at:  
[newworks.presscloud.com](http://newworks.presscloud.com)



# Lantern Floor Lamp

Bringing the soft illumination of its pendant predecessor, the Lantern Floor Lamp extends this iconic family. Inspired by the traditional Japanese rice paper lantern, the frosted glass form replicates that weightless glow. Firmly keeping this sculptural shape centre stage, a simple black steel base raises up its warm glow.

## Product highlights

- Part of the Lantern Family, which includes a table lamp, floor lamp, wall lamp, ceiling lamp and pendant lamp.
- Compliant with CE, RCM and ETL standards, making it suitable for use in both EU, AU and US Markets.
- Ideal for use in both public and private settings.



**Product Type** Floor Lamp, Lighting

**Designer** Anderssen & Voll, 2015

**About the Designer** Established in 2009, Anderssen & Voll create desirable and ground-breaking objects for the home environment. An approach shaped by their previous roles within pioneering Norwegian firm Norway Says, with Torbjørn Anderssen and Espen Voll being founders and running partners. Their interest in cultural forms can be seen within their elegant and understated pieces for some of Europe's most renowned brands.

**Environment** Indoor

**Country of Origin** PRC

**Assembly Requirements** The shade should be secured to the base.

**Material** The Lantern Floor Lamp features mouth-blown opaline glass and a powder-coated metal base. The glass shade is secured to the base by twisting the shade into place.

**Light Source included** No

**Cleaning & Care** Turn off the electricity before cleaning the lamp. Wipe the product with a soft dry cloth. Do not use any abrasive cleaning tools, and never use strong cleaning agents such as household glass cleaner, white spirit, or turpentine.

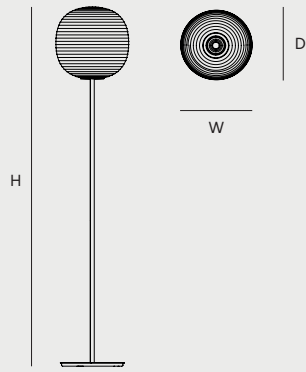


**Dimensions**  
Height: 1500 mm / 59.1"  
Width: 300 mm / 11.8"  
Depth: 300 mm / 11.8"

**Packaging Dimensions**  
Height: 1700 mm / 66.9"  
Width: 390 mm / 15.4"  
Depth: 390 mm / 15.4"

**Weight** 12 kg / 26.5 lbs

**Weight Incl Packaging** 14 kg / 13.9 lbs



### Versions



**Item No:** 20622  
**Variant:** Lantern Floor Lamp

**Lamp Rating**  
Voltage CE: 220-240 V, ETL: 110-120 V  
Frequency ~ 50/60 Hz  
IP-Rating IP20  
Classification Class II

**Light Source Recommendation**  
Lamp Base CE: E27, ETL: E26  
Type LED  
Max Voltage 11 W

**Tests & Certificates**  
**Lighting Certifications**  
CE, RCM, ETL, CCC

High res images and 2D/3D files available for download at:  
[newworks.presscloud.com](http://newworks.presscloud.com)



## Lantern Globe Floor & Table Lamp

Expanding into every aspect of the contemporary interior, the Lantern Wall Lamp and Lantern Globe Lamps complete this iconic series. Both lamps feature a simple black steel support and fixing that allows the soft illumination of the rippled glass globe to shine brightest. Inspired by traditional Japanese rice paper lanterns, these additions allow you to take the series into all corners of the home – from bedside to the entry, kitchen to the reading room.

### Product highlights

- Part of the Lantern Family, which includes a table lamp, floor lamp, wall lamp, ceiling lamp and pendant lamp.
- Compliant with CE, RCM and ETL standards, making it suitable for use in both EU, AU and US Markets.
- Available in three sizes: two suitable as table lamps and one suitable as a floor lamp.
- Ideal for use in both public and private settings.



---

<b>Product Type</b>	Floor & Table Lamp, Lighting
<b>Designer</b>	Anderssen & Voll, 2015
<b>About the Designer</b>	Established in 2009, Anderssen & Voll create desirable and ground-breaking objects for the home environment. An approach shaped by their previous roles within pioneering Norwegian firm Norway Says, with Torbjørn Anderssen and Espen Voll being founders and running partners. Their interest in cultural forms can be seen within their elegant and understated pieces for some of Europe's most renowned brands.
<b>Environment</b>	Indoor
<b>Country of Origin</b>	PRC
<b>Assembly Requirements</b>	The shade should be secured to the base.
<b>Material</b>	The Lantern Globe Lamp features mouth-blown opaline glass and a powder-coated metal base. The glass shade is secured to the base by twisting the shade into place.
<b>Light Source included</b>	No
<b>Cleaning &amp; Care</b>	Turn off the electricity before cleaning the lamp. Wipe the product with a soft dry cloth. Do not use any abrasive cleaning tools, and never use strong cleaning agents such as household glass cleaner, white spirit, or turpentine.

**Dimensions**

**Table, Small**

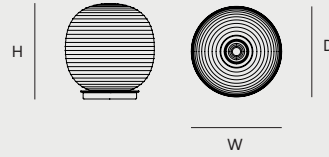
Height: 220 mm / 8.7"  
Width: 200 mm / 7.9"  
Depth: 200 mm / 7.9"

**Table, Medium**

Height: 320 mm / 12.6"  
Width: 300 mm / 11.8"  
Depth: 300 mm / 11.8"

**Floor**

Height: 420 mm / 16.5"  
Width: 400 mm / 15.7"  
Depth: 400 mm / 15.7"



**Packaging Dimensions**

**Table, Small**

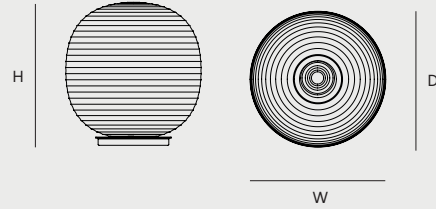
Height: 270 mm / 10.6"  
Width: 430 mm / 16.9"  
Depth: 310 mm / 12.2"

**Table, Medium**

Height: 320 mm / 12.6"  
Width: 540 mm / 21.3"  
Depth: 410 mm / 16.1"

**Floor**

Height: 420 mm / 16.5"  
Width: 640 mm / 25.2"  
Depth: 510 mm / 20.1"



**Weight**

**Table, Small**

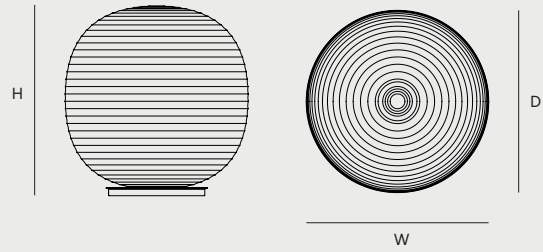
3.6 kg / 7.9 lbs

**Table, Medium**

6.8 kg / 15 lbs

**Floor**

10.8 kg / 23.8 lbs



**Weight Incl Packaging**

**Table, Small**

3.9 kg / 8.6 lbs

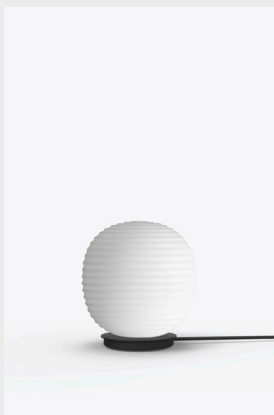
**Table, Medium**

7.4 kg / 16.3 lbs

**Floor**

11.5 kg / 25.4 lbs

**Versions**



**Item No:** 20614  
**Variants:** Lantern Globe Table Lamp, Small



**Item No:** 20624  
**Variants:** Lantern Globe Table Lamp, Medium



**Item No:** 20631  
**Variants:** Lantern Globe Floor Lamp

---

<b>Lamp Rating</b>	Voltage	CE: 220-240 V, ETL: 110-120 V
	Frequency	~ 50/60 Hz
	IP-Rating	IP20
	Classification	Class II

---

<b>Light Source Recommendation</b>	<b>Table, Small</b>	
	Lamp Base	CE: E14, ETL: E12
	Type	LED
	Max Voltage	7 W
	<b>Table, Medium &amp; Floor</b>	
	Lamp Base	CE: E27, ETL: E26
Type	LED	
Max Voltage	11 W	

---

<b>Tests &amp; Certificates</b>	<b>Lighting Certifications</b>	
	CE, RCM, ETL, CCC	

---

High res images and 2D/3D files available for download at:  
[newworks.presscloud.com](http://newworks.presscloud.com)





## Lantern Pendant

The Lantern Pendant is an elegant combination of iconic form and material exploration. Inspired by the traditional Chinese rice paper lamp, the frosted glass replicates a soft illumination, whilst creating a bold and lasting form. The result is a range of pendants suitable for small intimate spaces, all the way up to large open environments.

### Product highlights

- Part of the Lantern Family, which includes a table lamp, floor lamp, wall lamp, ceiling lamp and pendant lamp.
- Compliant with CE, RCM and ETL standards, making it suitable for use in both EU, AU and US Markets.
- Available in three sizes.
- Ideal for use in both public and private settings.



**Product Type** Pendant, Lighting

**Designer** Anderssen & Voll, 2015

**About the Designer** Established in 2009, Anderssen & Voll create desirable and ground-breaking objects for the home environment. An approach shaped by their previous roles within pioneering Norwegian firm Norway Says, with Torbjørn Anderssen and Espen Voll being founders and running partners. Their interest in cultural forms can be seen within their elegant and understated pieces for some of Europe's most renowned brands.

**Environment** Indoor

**Country of Origin** PRC

**Assembly Requirements** The shade should be positioned to the fitting.

**Material** The Lantern series features mouth-blown opaline glass combined with an injection-moulded plastic fitting.

**Light Source included** No

**Cleaning & Care** Turn off the electricity before cleaning the lamp. Wipe the product with a soft dry cloth. Do not use any abrasive cleaning tools, and never use strong cleaning agents such as household glass cleaner, white spirit, or turpentine.



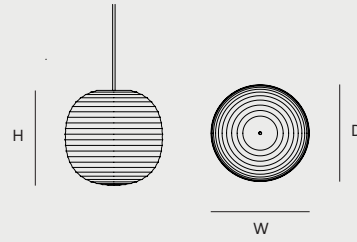
**Dimensions**

**Small**  
Height: 200 mm / 7.9"  
Width: 200 mm / 7.9"  
Depth: 200 mm / 7.9"

**Medium**  
Height: 300 mm / 11.8"  
Width: 300 mm / 11.8"  
Depth: 300 mm / 11.8"

**Large**  
Height: 400 mm / 15.8"  
Width: 400 mm / 15.8"  
Depth: 400 mm / 15.8"

Cord Length: 3400 mm / 133.9"

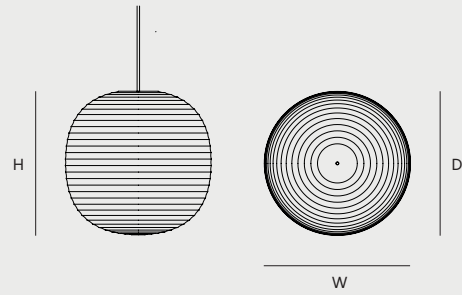


**Packaging Dimensions**

**Small**  
Height: 250 mm / 9.8"  
Width: 250 mm / 9.8"  
Depth: 300 mm / 11.8"

**Medium**  
Height: 370 mm / 14.6"  
Width: 370 mm / 14.6"  
Depth: 340 mm / 13.4"

**Large**  
Height: 450 mm / 17.7"  
Width: 450 mm / 17.7"  
Depth: 500 mm / 19.7"

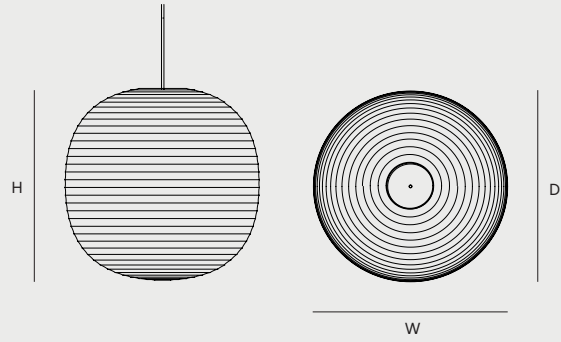


**Weight**

**Small**  
1.5 kg / 3.3 lbs

**Medium**  
2.9 kg / 6.4 lbs

**Large**  
5.2 kg / 11.5 lbs



**Weight Incl Packaging**

**Small**  
1.9 kg / 4.2 lbs

**Medium**  
3.2 kg / 7 lbs

**Large**  
6.9 kg / 15.2 lbs

---

## Versions



**Item No:** 20610  
**Variant:** Lantern Pendant, Small



**Item No:** 20620  
**Variant:** Lantern Pendant, Medium



**Item No:** 20630  
**Variant:** Lantern Pendant, Large

---

## Lamp Rating

Voltage	CE: 220-240 V, ETL: 110-120 V
Frequency	~ 50/60 Hz
IP-Rating	IP20
Classification	Class II

---

## Light Source Recommendation

<b>Small</b>	
Lamp Base	CE: E14, ETL: E12
Type	LED
Max Voltage	7 W
<b>Medium/ Large</b>	
Lamp Base	CE: E27, ETL: E26
Type	LED
Max Voltage	11 W

---

## Tests & Certificates

**Lighting Certifications**  
CE, RCM, ETL, CCC

---

High res images and 2D/3D files available for download at:  
[newworks.presscloud.com](http://newworks.presscloud.com)



## Lantern Table Lamp

Bringing the soft illumination of its pendant predecessor, the Lantern Table Lamp extends this iconic family. Inspired by the traditional Chinese rice paper lantern, the frosted glass form replicates that weightless glow. Firmly keeping this sculptural shape centre stage, a simple black steel base raises up its warm glow.

### Product highlights

- Part of the Lantern Family, which includes a table lamp, floor lamp, wall lamp, ceiling lamp and pendant lamp.
- Compliant with CE, RCM and ETL standards, making it suitable for use in both EU, AU and US Markets.
- Available in two sizes.
- Ideal for use in both public and private settings.



**Product Type** Table Lamp, Lighting

**Designer** Anderssen & Voll, 2015

**About the Designer** Established in 2009, Anderssen & Voll create desirable and ground-breaking objects for the home environment. An approach shaped by their previous roles within pioneering Norwegian firm Norway Says, with Torbjørn Anderssen and Espen Voll being founders and running partners. Their interest in cultural forms can be seen within their elegant and understated pieces for some of Europe's most renowned brands.

**Environment** Indoor

**Country of Origin** PRC

**Assembly Requirements** The shade should be secured to the base.

**Material** The Lantern Table Lamp features mouth-blown opaline glass and a powder-coated metal base. The glass shade is secured to the base by twisting the shade into place.

**Light Source included** No

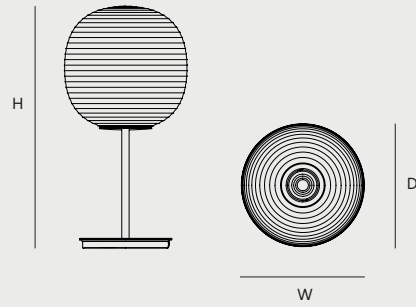
**Cleaning & Care** Turn off the electricity before cleaning the lamp. Wipe the product with a soft dry cloth. Do not use any abrasive cleaning tools, and never use strong cleaning agents such as household glass cleaner, white spirit, or turpentine.



**Dimensions**

**Small**  
Height: 400 mm / 15.7"  
Width: 200 mm / 7.9"  
Depth: 200 mm / 7.9"

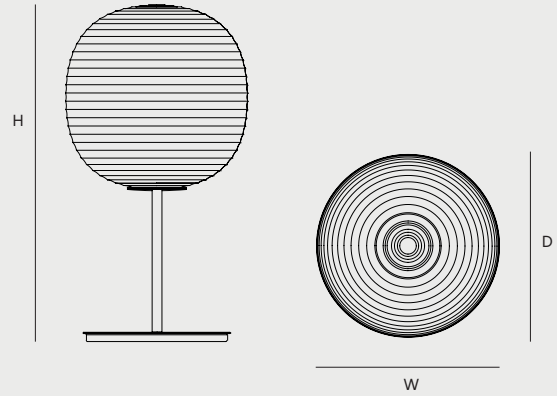
**Medium**  
Height: 550 mm / 21.7"  
Width: 300 mm / 11.8"  
Depth: 300 mm / 11.8"



**Packaging Dimensions**

**Small**  
Height: 500 mm / 19.7"  
Width: 250 mm / 9.8"  
Depth: 250 mm / 9.8"

**Medium**  
Height: 600 mm / 23.6"  
Width: 350 mm / 13.8"  
Depth: 350 mm / 13.8"



**Weight**

**Small**  
3.3 kg / 7.3 lbs

**Medium**  
7.6 kg / 16.8 lbs

**Weight Incl Packaging**

**Small**  
3.9 kg / 8.6 lbs

**Medium**  
8.1 kg / 17.9 lbs

**Versions**



**Item No:** 20611  
**Variant:** Lantern Table Lamp, Small



**Item No:** 20621  
**Variant:** Lantern Table Lamp, Medium

---

<b>Lamp Rating</b>	Voltage	CE: 220-240 V, ETL: 110-120 V
	Frequency	~ 50/60 Hz
	IP-Rating	IP20
	Classification	Class II

---

---

<b>Light Source Recommendation</b>	<b>Small</b>	
	Lamp Base	CE: E14, ETL: E12
	Type	LED
	Max Voltage	7 W
	<b>Medium</b>	
	Lamp Base	CE: E27, ETL: E26
Type	LED	
Max Voltage	11 W	

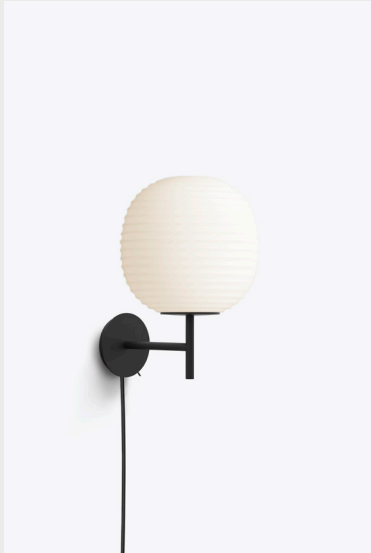
---

---

<b>Tests &amp; Certificates</b>	<b>Lighting Certifications</b>
	CE, RCM, ETL, CCC

---

High res images and 2D/3D files available for download at:  
[newworks.presscloud.com](http://newworks.presscloud.com)



## Lantern Wall Lamp

Expanding into every aspect of the contemporary interior, the Lantern Wall Lamp and Lantern Globe Lamps complete this iconic series. Both lamps feature a simple black steel support and fixing that allows the soft illumination of the rippled glass globe to shine brightest. Inspired by traditional Japanese rice paper lanterns, these additions allow you to take the series into all corners of the home – from bedside to the entry, kitchen to the reading room.

### Product highlights

- Part of the Lantern Family, which includes a table lamp, floor lamp, wall lamp, ceiling lamp and pendant lamp.
- Compliant with CE, RCM and ETL standards, making it suitable for use in both EU, AU and US Markets.
- Ideal for use in both public and private settings.



<b>Product Type</b>	Wall Lamp, Lighting
<b>Designer</b>	Anderssen & Voll, 2015
<b>About the Designer</b>	Established in 2009, Anderssen & Voll create desirable and ground-breaking objects for the home environment. An approach shaped by their previous roles within pioneering Norwegian firm Norway Says, with Torbjørn Anderssen and Espen Voll being founders and running partners. Their interest in cultural forms can be seen within their elegant and understated pieces for some of Europe's most renowned brands.
<b>Environment</b>	Indoor
<b>Country of Origin</b>	PRC
<b>Assembly Requirements</b>	The shade should be secured to the base.
<b>Material</b>	The Lantern Wall Lamp features mouth-blown opaline glass and a powder-coated metal base. The glass shade is secured to the base by twisting the shade into place.
<b>Light Source included</b>	No
<b>Cleaning &amp; Care</b>	Turn off the electricity before cleaning the lamp. Wipe the product with a soft dry cloth. Do not use any abrasive cleaning tools, and never use strong cleaning agents such as household glass cleaner, white spirit, or turpentine.

**Dimensions**

Height: 300 mm / 11.8"  
Width: 200 mm / 7.9"  
Depth: 250 mm / 9.8"

**Packaging Dimensions**

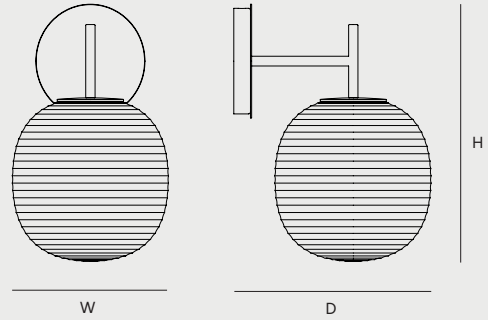
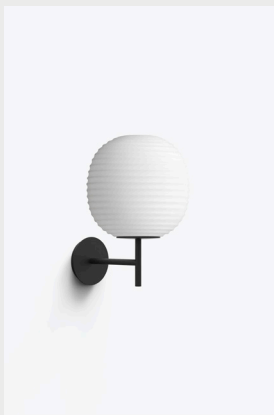
Height: 270 mm / 10.6"  
Width: 430 mm / 16.9"  
Depth: 310 mm / 12.2"

**Weight**

2.6 kg / 5.7 lbs

**Weight Incl Packaging**

3.6 kg / 7.9 lbs

**Versions**

**Item No:** 20612  
**Variant:** Lantern Wall Lamp

**Lamp Rating**

Voltage: CE: 220-240 V, ETL: 110-120 V  
Frequency: ~ 50/60 Hz  
IP-Rating: IP20  
Classification: Class II

**Light Source Recommendation**

Lamp Base: CE: E14, ETL: E12  
Type: LED  
Max Voltage: 7 W

**Tests & Certificates**

**Lighting Certifications**  
CE, RCM, ETL, CCC

High res images and 2D/3D files available for download at:  
[newworks.presscloud.com](http://newworks.presscloud.com)