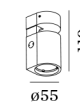




SQUBE on base

CEILING SURFACE



1.0 LED

LED 6W | 220-240VAC | 50-60Hz
COB 3-step | incl. PS | phase-cut dim
aluminium powder coated

0.43kg IP20 0.3° P A 36°

90°

	CODE
	144264W
	144264B

Light Colour Selection

	LUMEN	CRI	CODE
2700K	350	>80	2
3000K	380	>80	4
1800-3000K	350	>80	9

OPTIONAL

dimmer

	CODE
for switch	90019017
for din rail	90019018

more specs on page 576

2.0 LED

LED 12W | 220-240VAC | 50-60Hz
COB 3-step | incl. PS | phase-cut dim
aluminium powder coated

0.44kg IP20 0.3° P A 24°

90°

	CODE
	144464W
	144464B

Light Colour Selection

	LUMEN	CRI	CODE
2700K	780	>80	2
3000K	810	>80	4
1800-3000K	850	>80	9

OPTIONAL

dimmer

	CODE
for switch	90019017
for din rail	90019018

more specs on page 576

SQUBE ON BASE 1.0

03-Jul.-2018

1.0 LED

LED 6W | 220-240VAC | 50-60Hz | COB 3-step | incl. PS | phase-cut dim
 CE IP20 0.3m 36° P 90°

white texture	144264W
black texture	144264B

LIGHT COLOUR

2700K >80CRI 350lm	2
3000K >80CRI 380lm	4
1800-3000K >80CRI 350lm	9

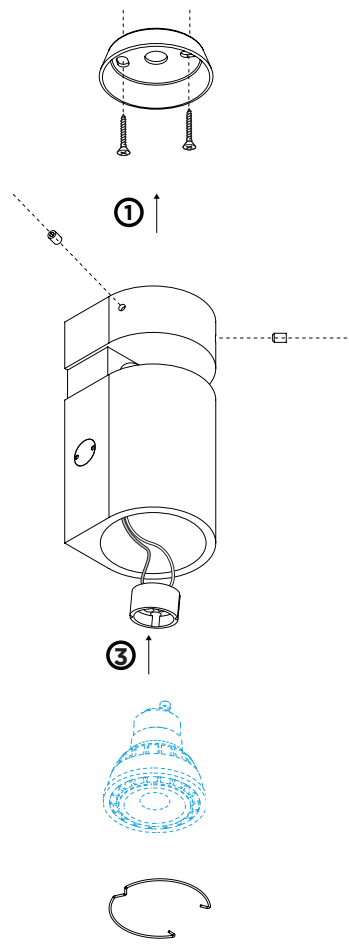
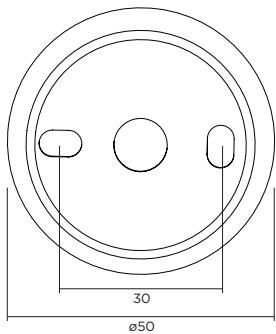
1.0 PAR16

PAR16 max. 35W | GU10 | 100-240VAC | 50-60Hz
 CE IP20 0.9m 36° P 90°

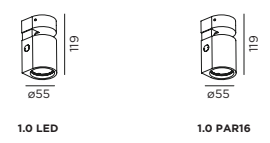
white texture	144220W0
black texture	144220B0

OPTIONAL
 for PAR16 lamps see our catalogue

base plate dimensions



DIMENSIONS

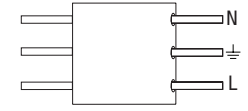


MOUNTING INSTRUCTION

- 1 Remove the screws, put the cables through the opening and mount the base on the ceiling.

POWER CONNECTION

- 2 Interior: connection: STANDARD version



Mount the fixture again with the screws on the base.

- 3 For PAR16: mount the lamp.

The light source of the integrated LED is not replaceable;
 When the light source reaches its end of life the whole luminaire shall be replaced.

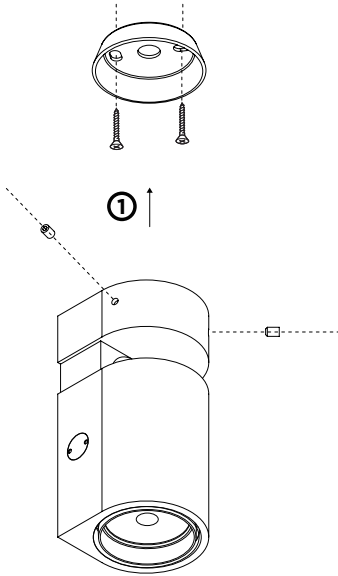
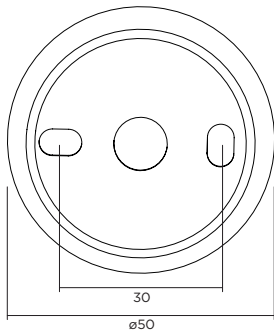
Caution, risk of electric shock

SQUBE ON BASE 2.0

22-Jun.-2018

2.0 LED	
LED 12W 220-240VAC 50-60Hz COB 3-step incl. PS phase-cut dim	
CE IP20 0,3m 24° 90°	
white texture	144464W_
black texture	144464B_
LIGHT COLOUR	
2700K >80CRI 780lm	2
3000K >80CRI 810lm	4
1800-3000K >80CRI 850lm	9
OPTIONAL	
dimmer	
for switch	90019017
for din rail	90019018

base plate dimensions



DIMENSIONS

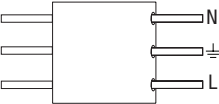


MOUNTING INSTRUCTION

- 1 Remove the screws, put the cables through the opening and mount the base on the ceiling.

POWER CONNECTION

- 2 Interior: connection: STANDARD version



Mount the fixture again with the screws on the base.

The light source of the integrated LED is not replaceable; When the light source reaches its end of life the whole luminaire shall be replaced.

Caution, risk of electric shock