

Retreat

SOFA SEATING SYSTEM

Designed with Monica Förster

Retreat is an enduring modular sofa that outlives fleeting trends. Bold yet soft, its down-filled modules and armrests are gently swaddled with padding for a feeling of comfort.



DIMENSIONS

SEE DIMENSIONS CONNECTED TO LINEDRAWINGS

TOTAL HEIGHT	73.0 cm
SEAT HEIGHT	41.0 cm / 16.1 in
ARMREST HEIGHT	73.0 cm / 28.7 in
SEAT DEPTH	60.0 cm / 23.6 in

MATERIALS

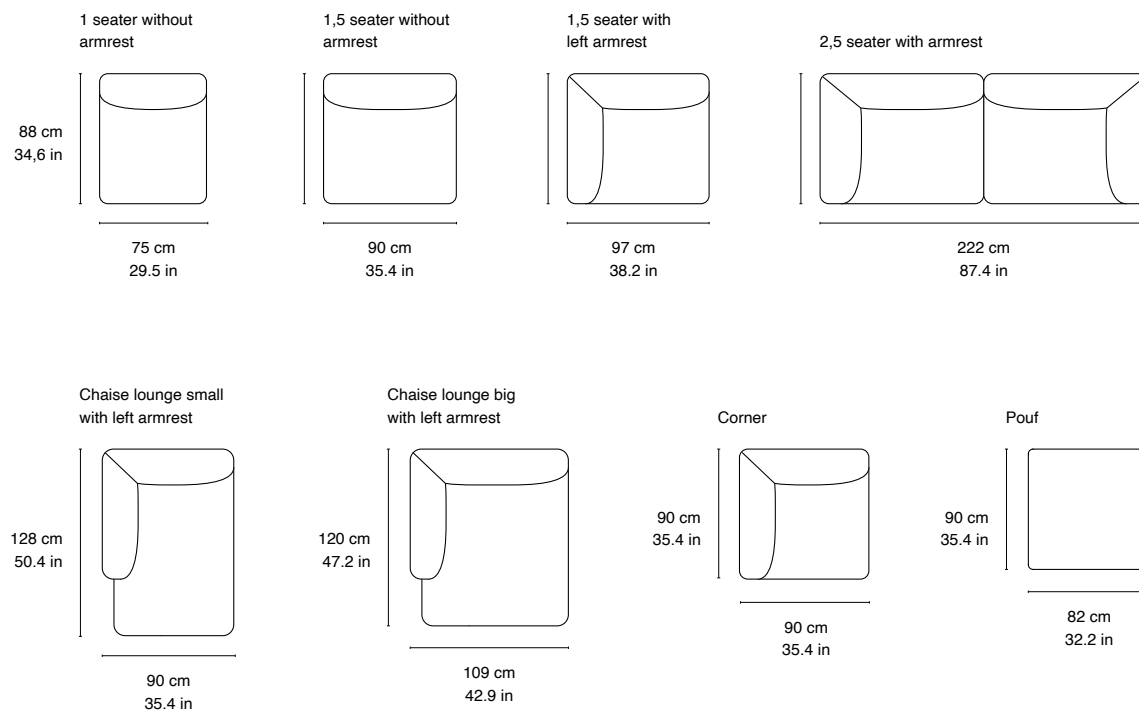
FRAME	Solid wood
LEGS	Solid oak and Nozag springs
SEAT	Wood board & foam
BACKREST	Wood board and foam
BACK CUSHIONS	Foam, down feather and wadding
SEAT CUSHIONS	Foam, down feather and wadding
ARMREST	Foam, down feather and wadding
UPHOLSTERY	Leather, fabric
FOAM OPTIONS	CMHR
FURNITURE FEET	Felt gliders

OTHER SPECIFICATIONS

COUNTRY OF ORIGIN	Poland
--------------------------	--------

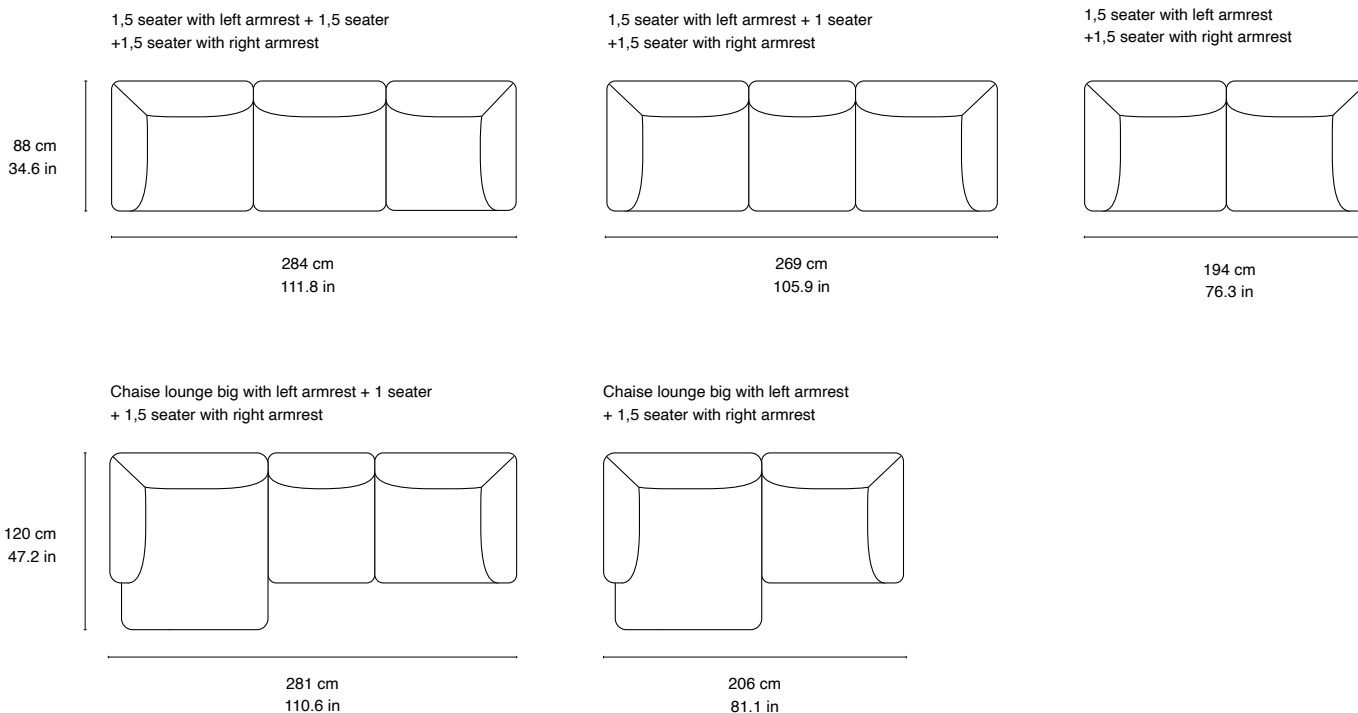
MODULES

ALL MODULES CAN BE INVERTED



EXAMPLE CONFIGURATIONS

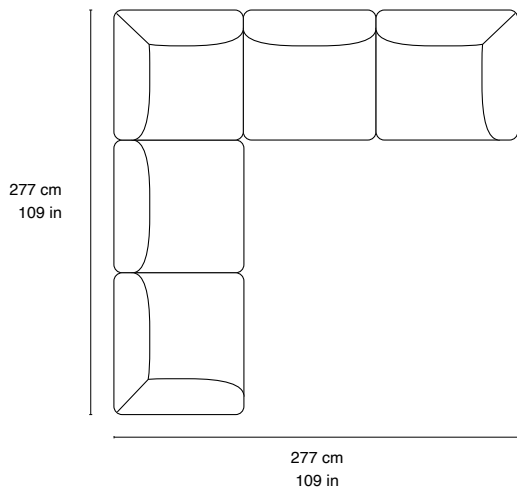
ALL MODULES CAN BE INVERTED



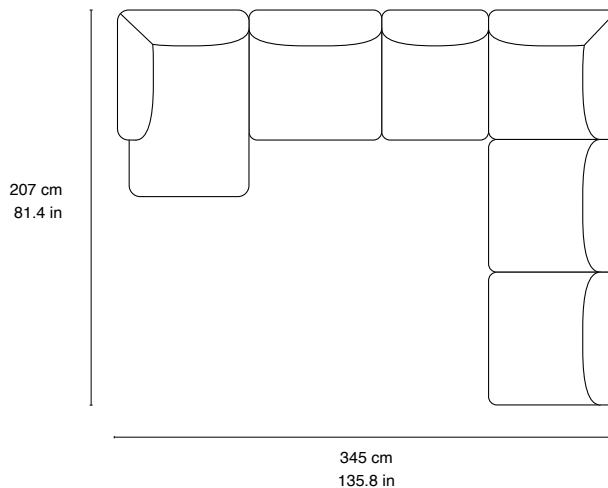
EXAMPLE CONFIGURATIONS

ALL MODULES CAN BE INVERTED

1,5 seater with left armrest + 1,5 seater + Corner
+ 1,5 seater + 1,5 seater with right armrest



Chaise lounge small with left armrest + 1,5 seater + 1 seater
+ Corner + 1,5 seater + 1,5 seater



WARRANTY, CARE AND MAINTENANCE

More information on our website

STANDARD UPHOLSTERY OVERVIEW
CONTACT FOGIA FOR OPTIONAL UPHOLSTERY.

More information in our asset library

SURFACE TREATMENT OVERVIEW

More information in our asset library

UPHOLSTERY	PRODUCER	Info	Retail	MF	Club 5	Cal 117	Prop 65	ALEX	BARBA	BLOCK	BOLLO	CAMPO	DINI	EMBRACE	FRAGMENT	HOOD	JORD	LYRA	MAME	MORRIS	NICHE	POPPY	RETREAT	SLING	SUPERSOFT	TIKI	TONDO	VELAR	UTILITY
TERRAIN	J	KIRKBY DESIGN				*		*	*	*	*	*	*	*	*		*	*	*	*	*	*	*	*	*	*	*	*	*
STONE	E	KIRKBY DESIGN	5		*			*	*	*	*	*	*	*	*		*	*	*	*	*	*	*	*	*	*	*	*	*
TONICA 2	F	KVADRAT			*	*	*	*	*	*	*	*	*	*	*		*	*	*	*	*	*	*	*	*	*	*	*	*
TONUS 4	F	KVADRAT			*	*	*	*	*	*	*	*	*	*	*		*	*	*	*	*	*	*	*	*	*	*	*	*
UNIFORM MELANGE	I	KVADRAT	3		*	*	*	*	*	*	*	*	*	*	*		*	*	*	*	*	*	*	*	*	*	*	*	*
VIDAR 4	G	KVADRAT			*	*	*	*	*	*	*	*	*	*	*		*	*	*	*	*	*	*	*	*	*	*	*	*
WOOLY/ WOOLY PLUS	D	NEVOTEX			*	*	*	*	*	*	*	*	*	*	*		*	*	*	*	*	*	*	*	*	*	*	*	*
YOREDALE	E	CAMIRA			*	*	*	*	*	*	*	*	*	*	*		*	*	*	*	*	*	*	*	*	*	*	*	*
ZERO	G	SAHCO			*	*	*	*	*	*	*	*	*	*	*		*	*	*	*	*	*	*	*	*	*	*	*	*
Leather																													
DUNES		SOERENSEN				*	*	*	*-9	*	*	*	*	*	*		*	*	*	*	*	*	*	*	*	*	*	*	*
ELMOSOFT		ELMO			*	*	*	*	*	*	*	*	*	*	*		*	*	*	*	*	*	*	*	*	*	*	*	*
ELMOTIQUE		ELMO			*	*	*	*	*	*	*	*	*	*	*		*	*	*	*	*	*	*	*	*	*	*	*	*
SEVILLA		CAMO			*	*	*	*	*	*	*	*	*	*	*		*	*	*	*	*	*	*	*	*	*	*	*	*
SHADE		SOERENSEN			*	*	*	*	*	*	*	*	*	*	*		*	*	*	*	*	*	*	*	*	*	*	*	*
SHEEPSKIN		SKANDILOCK			*				*-8	*	*	*	*	*	*		*	*	*	*	*	*	*	*	*	*	*	*	*
VINTAGE OTHERS		NEVOTEX	9		*	*	*	*	*-10	*	*	*	*	*	*		*	*	*	*	*	*	*	*	*	*	*	*	*
VINTAGE RANGERS		NEVOTEX			*	*	*	*	*-8	*	*	*	*	*	*		*	*	*	*	*	*	*	*	*	*	*	*	*

- Can contain FR in the fibre
1. Recommended only for furnitures with removable covers in home environment
 2. Not suitable for models with stitched edges on frames and cushions
 3. Stretch
 4. This is a stripe. Not recommended for products with extra stitching or heavily curved, concave forms.
 5. Easy clean/ just use water and a soft shite cloth
 6. Artificial leather, only suitable for a limited numbers of items in the collection, contact Fogia.
 7. Horizontally woven stripe
 8. Only approved for Barba Club armchair
 9. Colors: Cognac, Dark Chocolate, Olive, Tabacco, Concrete, Black
 10. Only approved for Barba Club