

---

# BuzziShade Square

220-240V

## Product Specification Sheet

---

This document contains technical information about the BuzziShade Square



[www.buzzi.space](http://www.buzzi.space)












## Noise-reducing pendant lighting, with a twist.

Meet BuzziShade Square, with its unique personality. It combines a nicely finished metal frame, upholstered in BuzziFelt, with our signature lacing available in a wide range of colors. This meticulously crafted lighting fixture, with acoustic capabilities, reduces external noise level to a maximum while blending in with the interior. It is such a versatile modern lighting that means the perfect addition to any office, lobby area or restaurant. Be adventurous and hang several BuzziShade Square in a row for an even more distinctive setting and well-balanced space.

Designed by Stal Collectief

---

## General

-  Square | Square LED Globe
-  BuzziFelt cover
-  Powder coated metal frame
-  Fabric power cord
-  Input Voltage: 220 - 240V
-  Input Frequency: 50/60Hz
-  Class: 1
-  Dry usage
-  Assembled

---

## Acoustics



Absorption



Diffusion



Mid tone



High tone

---

## Certifications

CE/CB

---

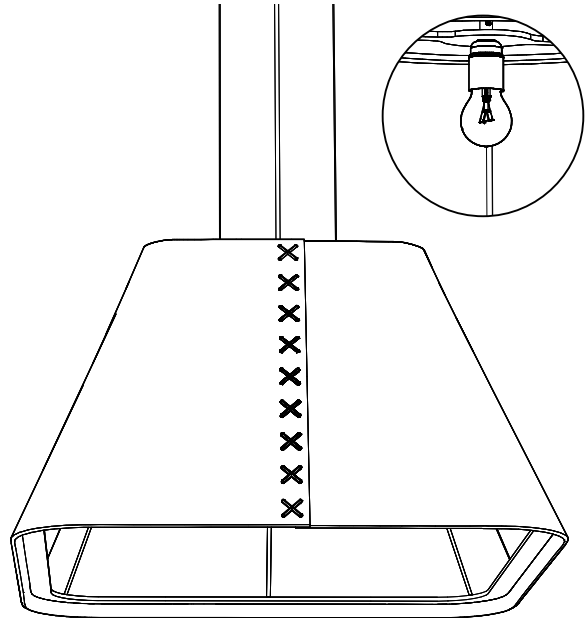
## Content

Configurations	3
Technical components	4
Fabrics	6
Dimensions	7
Acoustics	9

# Configurations

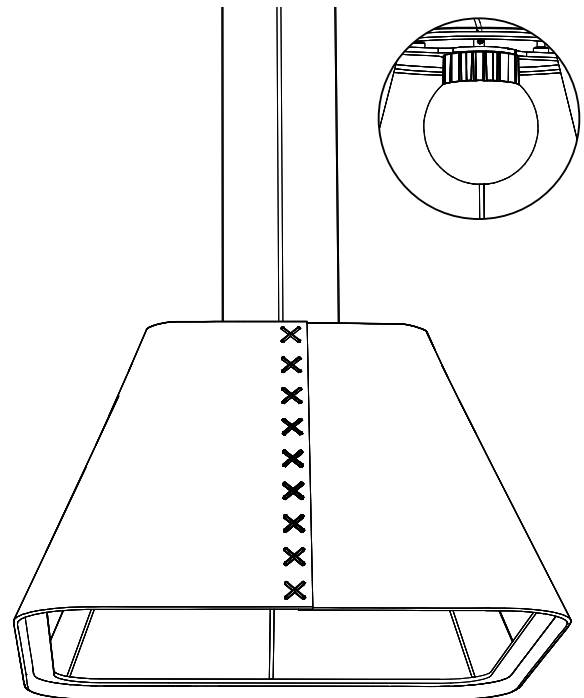
## BuzziShade Square

- ◆ Medium
- ◆ BuzziFelt cover with lace
- 🌲 Metal frame in black (RAL 9005), white (RAL 9010), alu (RAL 9006) or fluorescent orange (RAL 2005)
- Height: 44 cm
- ✂ Width: 75 cm  
Depth: 75 cm
- 💡 E27 Fitting (Max. 60W)  
Excl. Bulb
- ⚖ 5 kg
- ... Lace: black | white | fluorescent orange  
Black or alu cables 2 - 5 m  
Fabric power cord in black, red or fluorescent orange  
Ceiling canopy black or white
- ⚠ If installing on suspended ceiling, verify load capacity prior to installation.



## BuzziShade Square LED Globe

- ◆ Medium
- ◆ BuzziFelt cover with lace
- 🌲 Metal frame in black (RAL 9005), white (RAL 9010), alu (RAL 9006) or fluorescent orange (RAL 2005)
- Fabric power cord in black
- Ceiling canopy black
- Height: 44 cm
- ✂ Width: 75 cm  
Depth: 75 cm
- Wattage: 19W
- LED source incl. Glass globe
- Lumen Output: 1500 lumen
- Color Temperature: 3000K
- Color Rendering Index: 90
- Dimmable: 1-10V Protocol
- ⚖ 7 Kg
- ... Lace: black | white | fluorescent orange  
Black or alu cables 2 - 5 m
- ⚠ If installing on suspended ceiling, verify load capacity prior to installation



# Technical components

---

## BuzziShade Square

### Ceiling canopy

Powder coated metal canopy in black (RAL 9005) or white (RAL 2010)

Including mounting bracket

Height: 2,6 cm

Diameter: 12 cm

### Frame

Metal frame available in following colors:

Powder coated white		RAL 9010
Powder coated black		RAL 9005
Fluorescent orange		RAL 2005
Alu		not powder coated



# Technical components

---

## BuzziShade Square LED

### Ceiling canopy

Powder coated metal canopy in black (RAL 9005)

Including mounting bracket

Width: 14 cm

Length: 28 cm

Height: 4 cm

### Frame

Metal frame available in following colors:

Powder coated white | RAL 9010

Powder coated black | RAL 9005

Fluorescent orange | RAL 2005

Alu | not powder coated



### Light source

LED light source with powder coated metal heat sink and ceiling canopy in black (RAL 9005) finished with a frosted glass sphere.

Height: 20 cm

Width: Ø 15 cm



# Fabrics

---

## Felt



**Composition** 100% Recycled PE.T. Felt, latex backing  
**Weight** 1.000 g/m2 | 29.49 oz/yd2  
**Abrasion resistance** >7.000 Martindale  
**Flammability** EU: EN 13501.1 + A1/2009 Class B-s1,d0  
USA: ASTM E84 Class A certified  
**Fastness to light** USA 5



---

## Lace

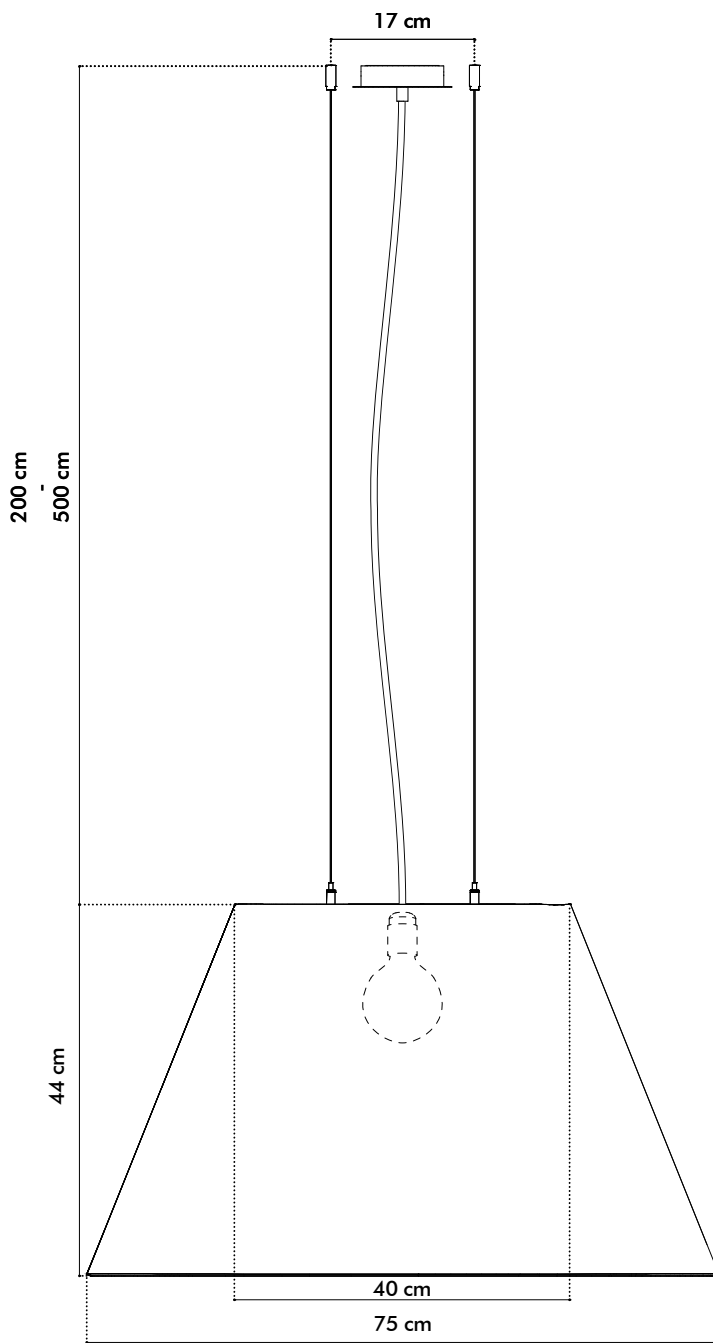
Lace black | white | fluorescent orange



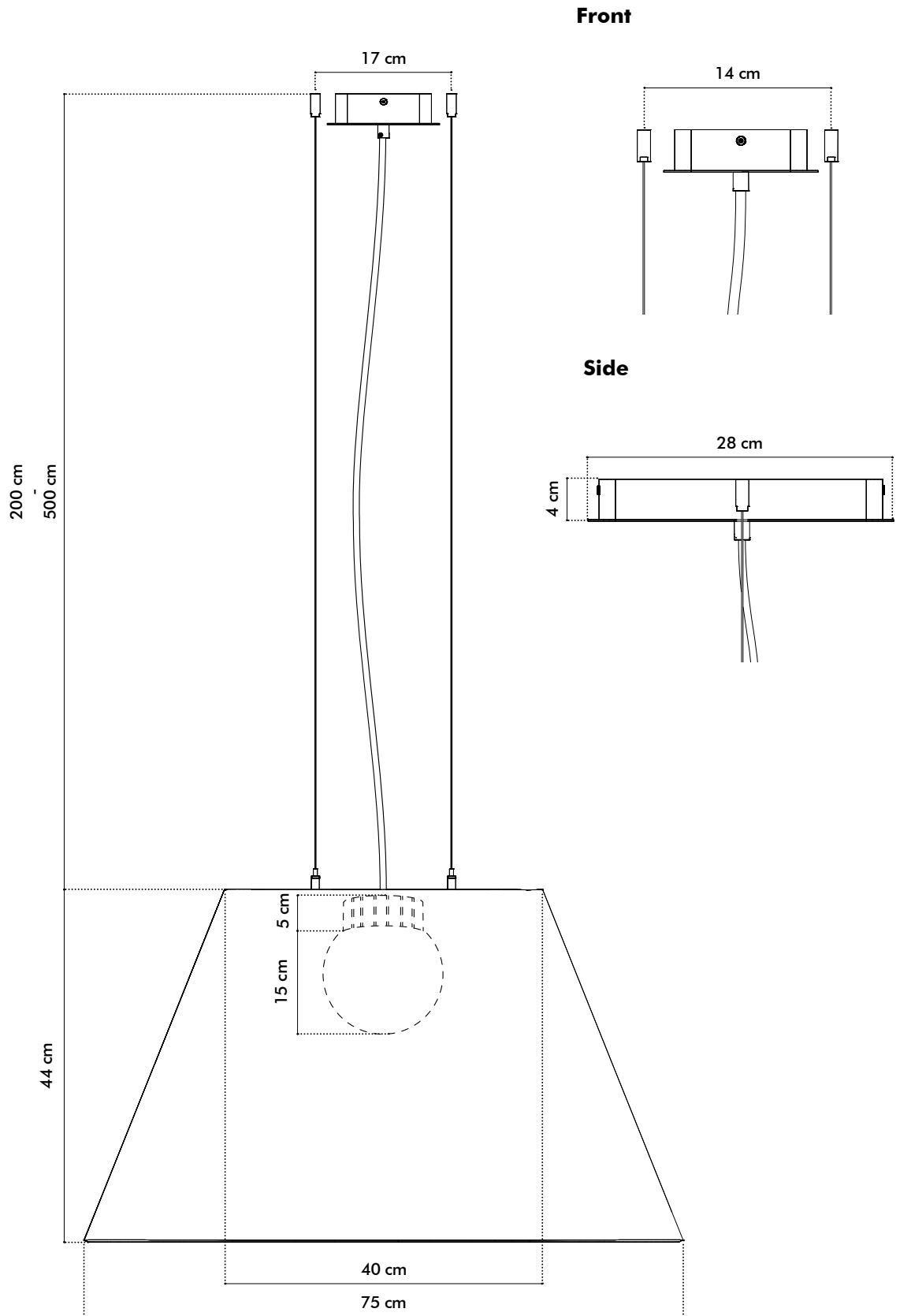
# Dimensions

---

## BuzziShade Square Medium



# BuzziShade Square LED Globe Medium

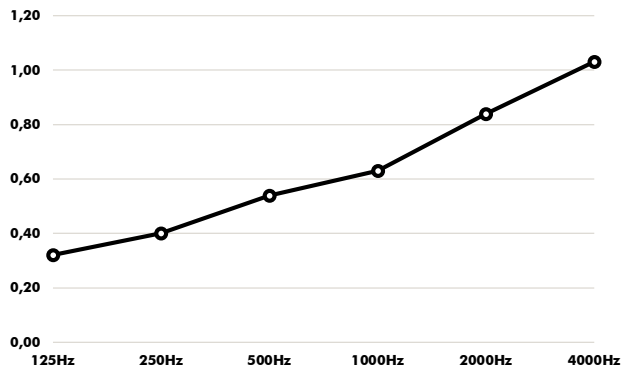




# Acoustics

## BuzziShade Square

Equivalent sound absorption area in m<sup>2</sup> per object



Hz	Aeq/m <sup>2</sup>
125	0,32
250	0,40
500	0,54
1000	0,63
2000	0,84
4000	1,03