

**Montana**

# Living Things

DA / EN / DE

Design by Peter J. Lassen

---

SAMLEVEJLEDNING  
ASSEMBLY INSTRUCTIONS  
MONTAGEANLEITUNG

**Montana Furniture**

Akkerupvej 16, DK-5683 Haarby, Denmark • T +45 6473 3211

[montanafurniture.com](http://montanafurniture.com)

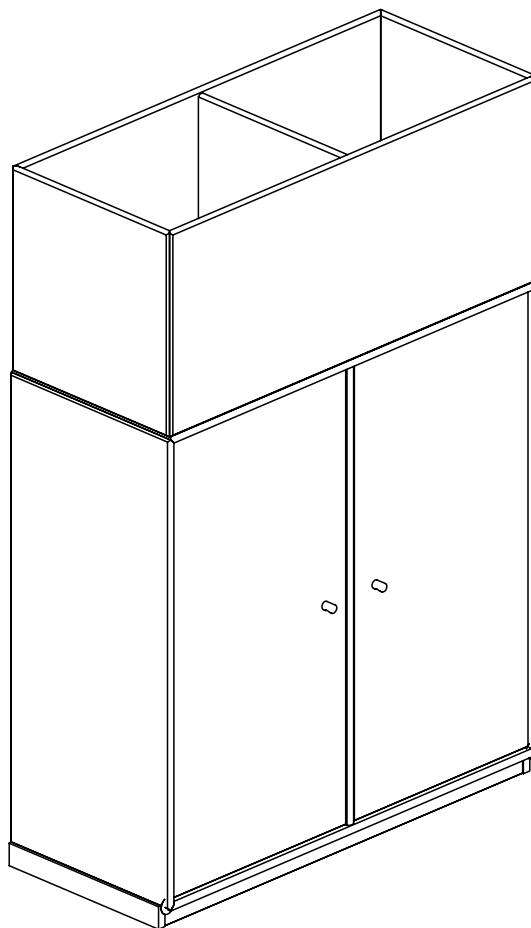
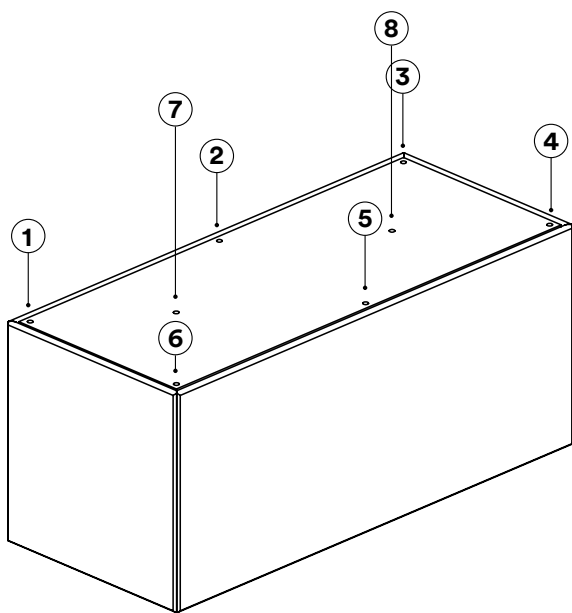
## CONTENT



8 x anti-slip pads

## MOUNTING

Mount the adhesive anti-slip pads when you want to stack the Living Things module on top of another module. Turn the module upside down and place the adhesive anti-slip pads near the edge in the corners and along the sides.



# Montana Colour Palette

## Colour blocks overview

						
	140 Pomelo	01 White	101 New White	38 Snow		150 Vanilla
						
156 Oyster	161 Mist	09 Nordic		158 Oat	131 White Oak	159 Camomile
						
148 Flint		168 Clay	02 Fjord	137 Mushroom	167 Ruby	166 Acacia
						
154 Azure	144 Fennel	141 Truffle	100 Graphic	164 Iris	151 Rhubarb	157 Cumin
						
135 Monarch	152 Parsley	35 Coffee	36 Coal		145 Rosehip	142 Amber
						
138 Juniper	136 Pine	139 Oregano	04 Anthracite	155 Masala	165 Beetroot	162 Hokkaido
						
147 Shadow	163 Black Jade		05 Black	133 Black Oak	160 Balsamic	146 Hazelnut