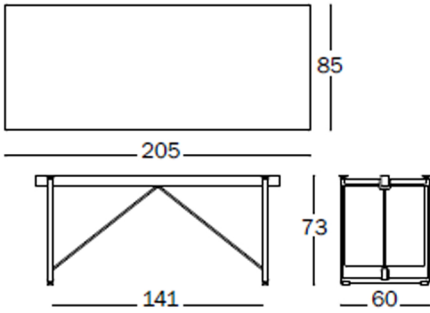


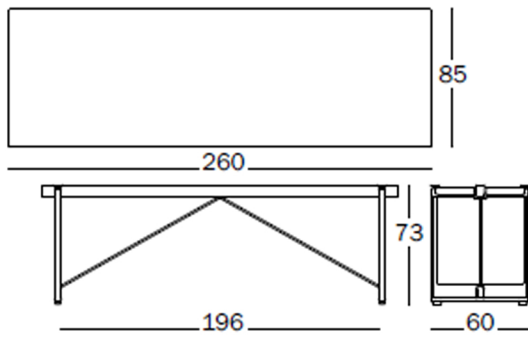
Brut
 design konstantin grcic
 2017

Tables.
 Material: frame in cast-iron painted in polyester powder or cataphoretically treated and painted in polyester powder. Joining element in solid oak, natural or in solid iroko, natural. Tops in tempered glass, in oak or in steel plate, electrogalvanized and painted in polyester powder. Versions for outdoor use also available.

TV2480



TV2500



colours

