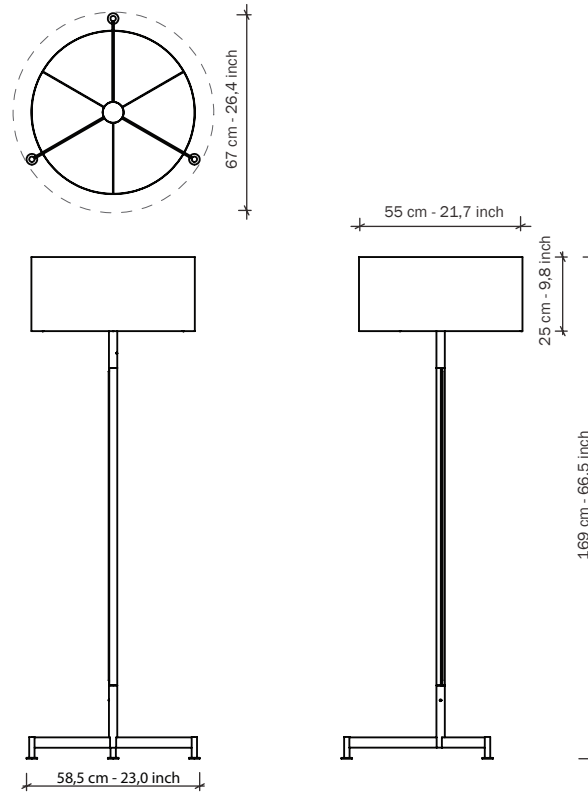


# STOKLAMP

## FLORIS HOVERS



Black

White

### SPECIFICATIONS

**Base and head:**

Steel, powder coated in black or white. Felt is attached to the bottom of the base.

**Stick:**

Ash wood finished with matt clearcoat, with groove for cable.

**Lampshade:**

Polyester, black or white.

**Cable length:**

180 cm - 70,9 inch

**Light source:**

Fitting E27

Max. 60 Watt

220 V

**Energy class:**

Lamp is suitable for bulbs of energy class A++, A+, A, B, C, D and E.

Lamp is sold with a bulb of energy class E.

**Weight:**

3,7 kg - 8,2 lb.

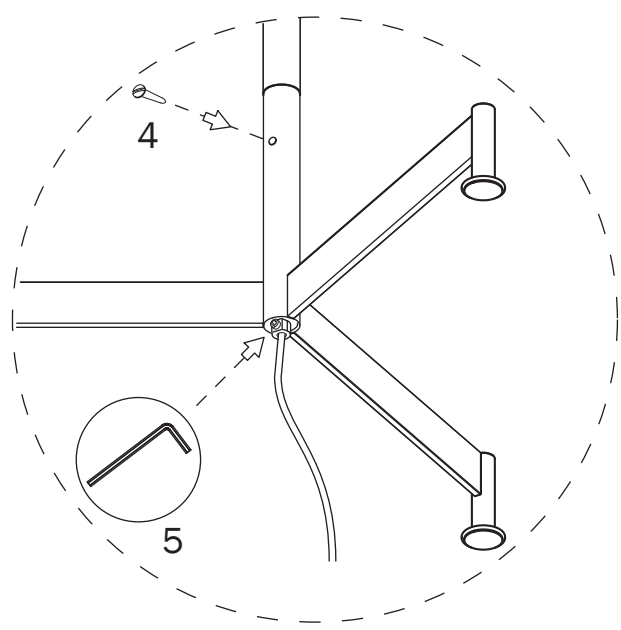
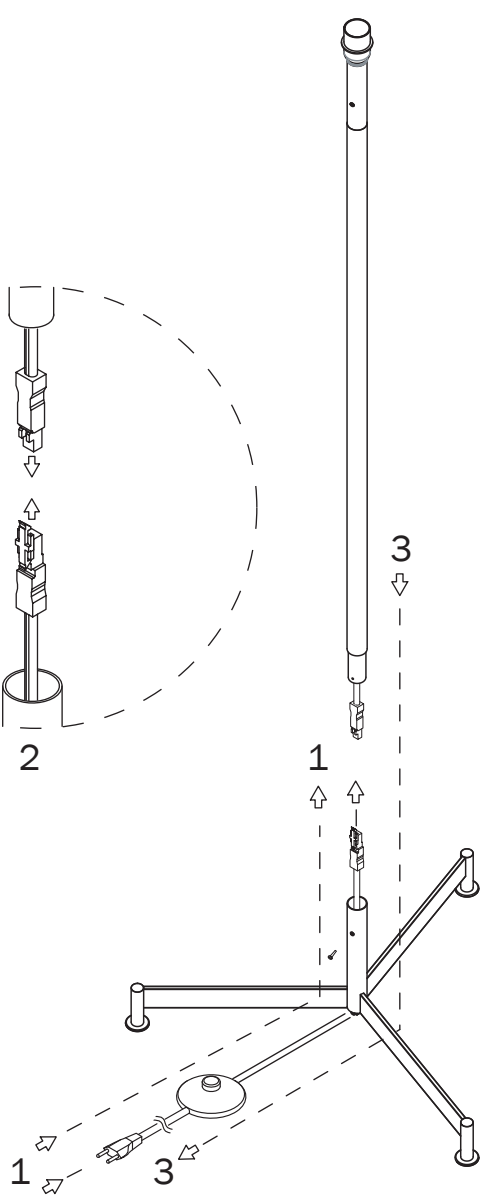
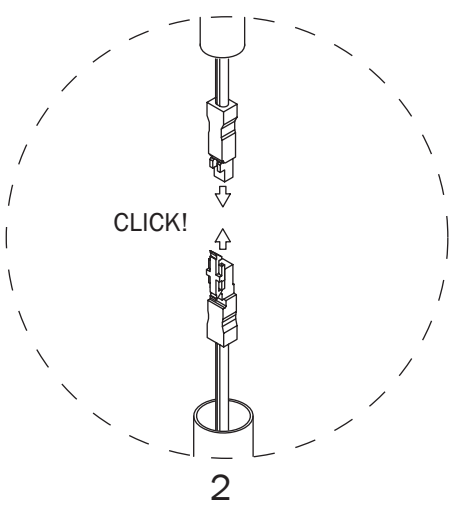
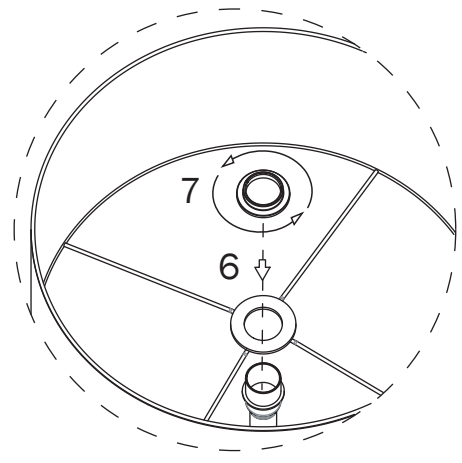
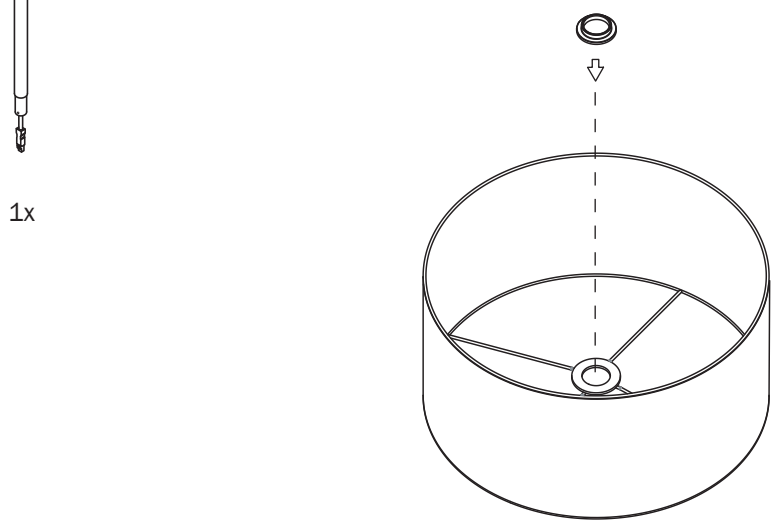
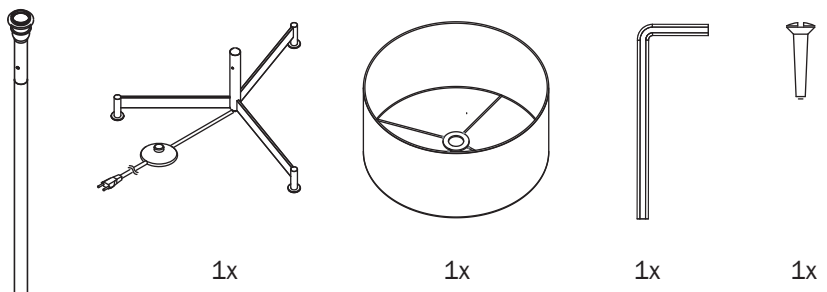
### 3D-FILES OR HR-IMAGES

Check: [www.functionals.eu/downloads](http://www.functionals.eu/downloads)

by Ad&Simon

# FUNCTIONALS

www.functionals.eu



**STOKLAMP**