

Rise Lamp



Designed by Marianne Andersen for Normann Copenhagen

normann

C O P E N H A G E N

The Rise Lamp launches in a new, stainless steel variant

A beloved part of the Normann Copenhagen lamp collection since 2016, Rise is an uncomplicated and versatile wall lamp designed for the many needs and aesthetics of modern interiors. This February, Normann Copenhagen launches the Rise Lamp in a brand-new stainless steel variant. The industrial, utilitarian expression of the brushed steel stands in contrast to the warmth of the ash base. The play between the two materials presents a design full of contrast, while highlighting the quality of the lamp's composition.

With Rise, designer Marianne Andersen has created a wall lamp that is appealing in all its simplicity. Simplicity is precisely what has been a specific goal throughout the design process. Marianne Andersen aimed to create an immediate and intuitive design in which only the most necessary parts are prominent. "I knew that I was close to my goal when the lamp only consisted of two elements and two materials," she tells us.





The Rise Wall Lamp consists of a base and a cylindrical shade, which are held together by a turning joint, making it possible to rotate the shade around the base to adjust the direction of the light. The lamp can thus change between direct and indirect lighting, making it perfect as both a reading lamp and as mood lighting.

The wooden base in ash forms a beautiful contrast to the raw, industrial shade. Marianne Andersen has deliberately chosen an organic and warm material close to the wall, in order to create a soft transition between the lamp and the room. With its minimalistic design and choice of materials, the Rise Wall Lamp integrates easily into any interior design.



Rise wall lamp
H: 9,7 x L: 17 cm



Rise wall lamp
H: 9,7 x L: 17 cm



Rise wall lamp
H: 9,7 x L: 17 cm



Rise wall lamp
H: 9,7 x L: 17 cm



Rise wall lamp
H: 9,7 x L: 17 cm



Rise wall lamp
H: 9,7 x L: 17 cm



Rise wall lamp hardwired
H: 11 x L: 19,5 cm



Rise wall lamp hardwired
H: 11 x L: 19,5 cm



Rise wall lamp hardwired
H: 11 x L: 19,5 cm



Rise wall lamp hardwired
H: 11 x L: 19,5 cm



Rise wall lamp hardwired
H: 11 x L: 19,5 cm



Rise wall lamp hardwired
H: 11 x L: 19,5 cm

Colors: White, Black, Grey, Petrol Green, Yellow, Stainless Steel

Material: powder coated steel or brushed stainless steel and lacquered ash

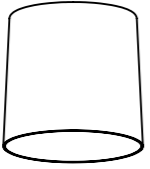
Dimensions: Rise Lamp: H: 9,7 x L: 17 x Ø: 10 cm / Rise Lamp Hardwired: H: 11 x L: 19,5 x Ø: 10 cm

Price: Click [here](#) to see the pricelist in all currencies

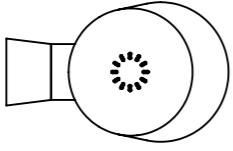
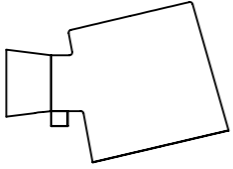




■ 97 ■



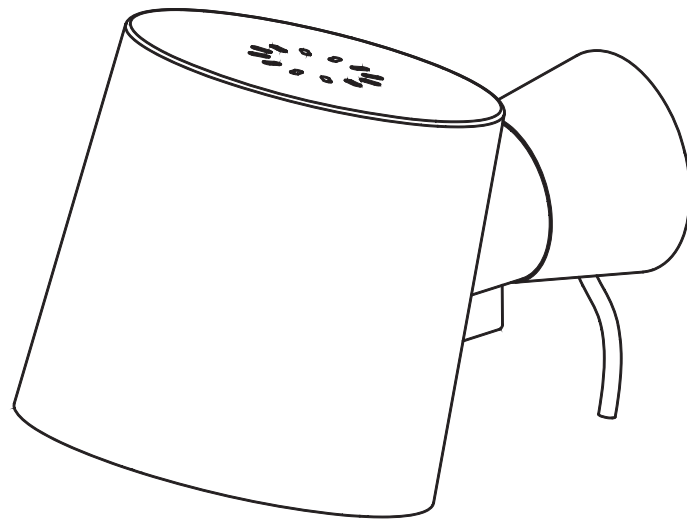
■ 170 ■



■ 100 ■

Rise Wall Lamp

Assembly Instructions



normann

C O P E N H A G E N

1



ENGLISH

IMPORTANT

Always shut off power to the circuit before starting installation work. In some countries electrical installation work may only be carried out by an authorised electrical contractor. Contact your local electricity authority for advice.

DEUTSCH

WICHTIG!

Vor der Installation den Strom abschalten. In einigen Ländern dürfen Elektroinstallationen nur von autorisierten Elektrofachleuten ausgeführt werden. Im Zweifelsfall die örtlichen Behörden ansprechen.

FRANÇAIS

ATTENTION !

Toujours couper l'alimentation au panneau principal avant de procéder à l'installation. Dans certains pays, l'installation doit être en savoir plus, contacter les autorités locales compétentes en la matière.

NEDERLANDS

BELANGRIJK!

Schakel de stroom altijd uit voordat met de installatie wordt begonnen. In sommige landen mogen elektrische installaties alleen worden uitgevoerd door een bevoegd elektricien. Neem daarom contact op met de plaatselijke overheid voor advies.

DANSK

VIGTIGT!

Sluk altid for strømmen, før installationen påbegyndes. I nogle lande må elektriske installationer kun udføres af en uddannet elektriker. Få oplysninger hos de relevante myndigheder.

ÍSLENSKA

MIKILVÆGT

Sláíð rafmagnið úr áður en uppsetning hefst. Í sumum löndum þarf uppsetning að vera framkvæmd af löggiltum rafvirkja. Leitið ráða hjá rafvirkja varðandi uppsetninguna.

NORSK

VIKTIG!

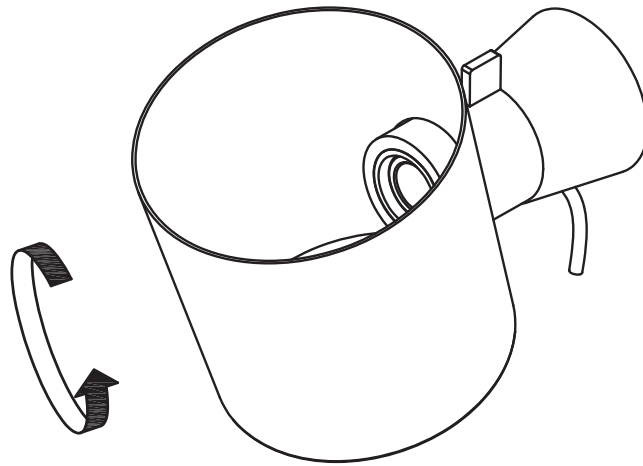
Elektriske installasjoner skal utføres av elektriker. Steng av strømtilførselen til strømkretsen med riktig sikring før installasjonsarbeidet påbegynnes.

SUOMI

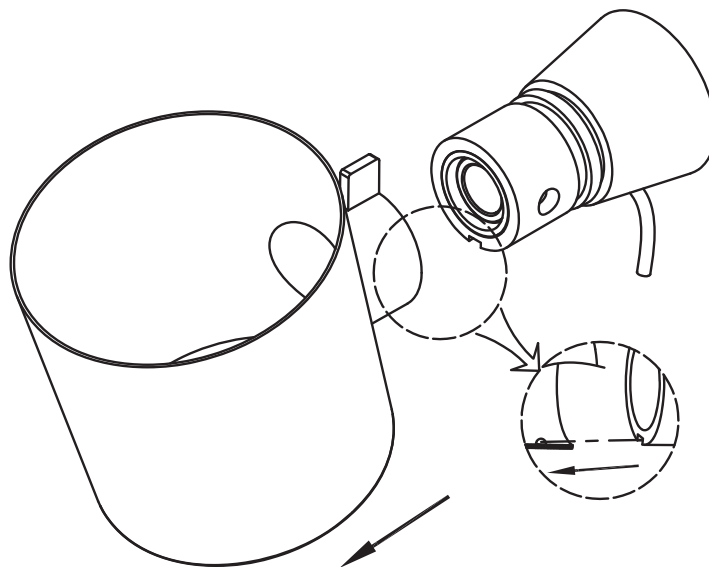
TÄRKEÄÄ!

Katkaise aina virta pääkatkaisimesta ennen asennuksen aloittamista. Joissakin maissa asennuksen saa tehdä ainoastaan ammattitaitoinen sähköasentaja. Ota selvää paikallisista määräykistä.

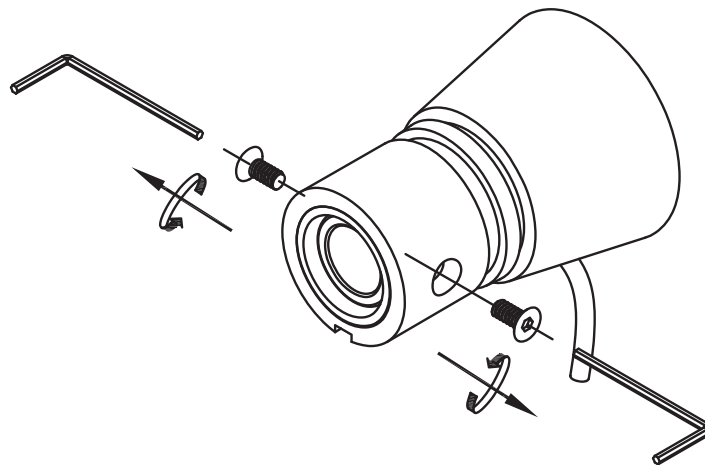
2



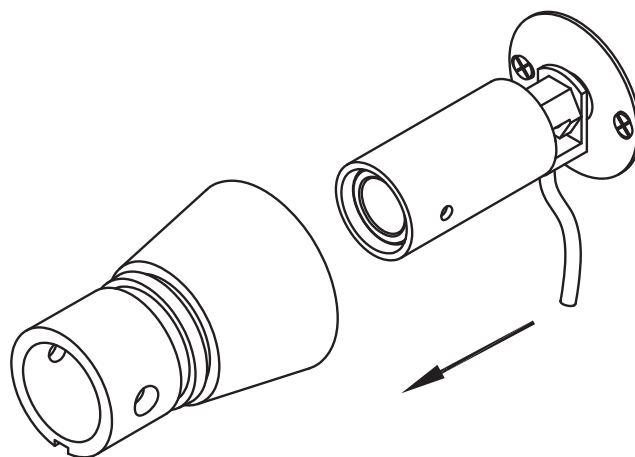
3



4



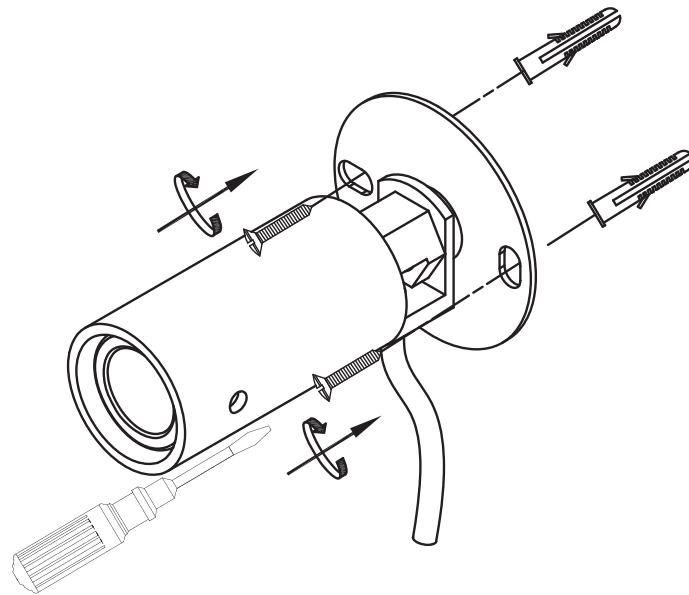
5



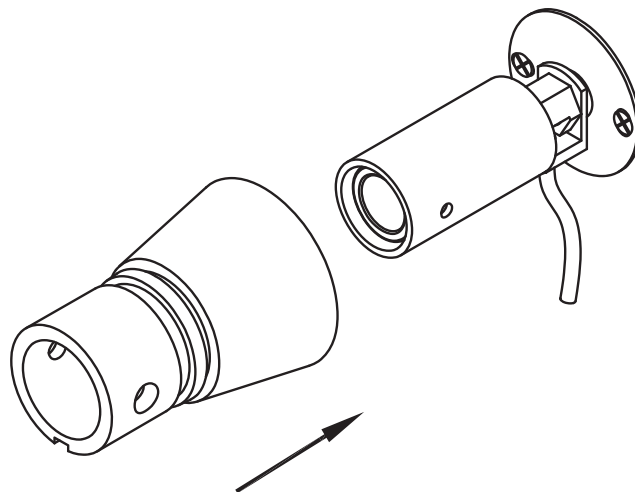
normann

C O P E N H A G E N

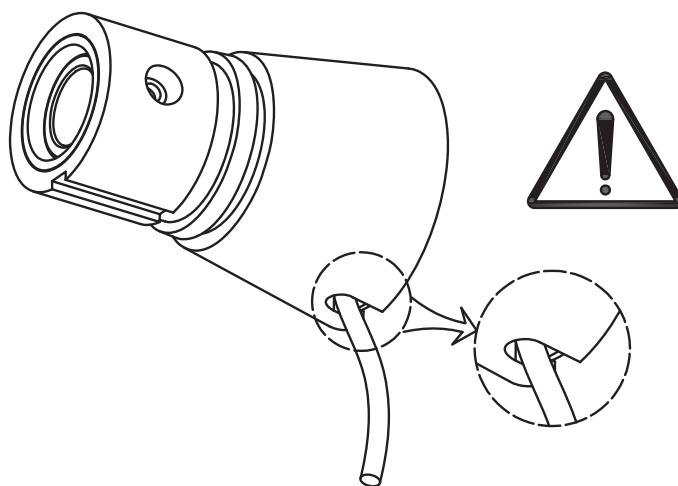
4



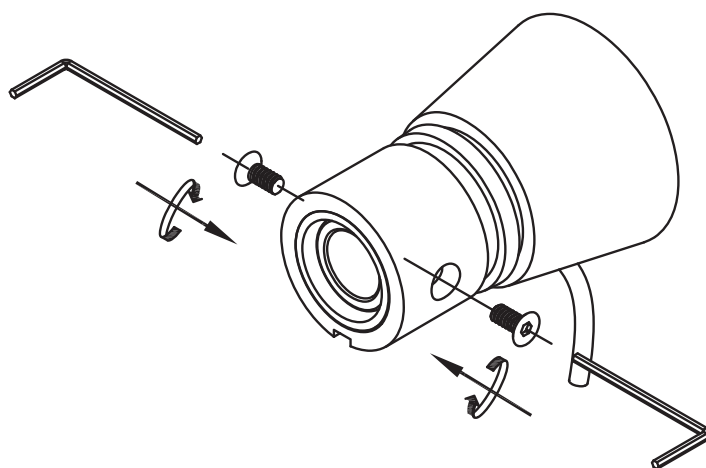
5



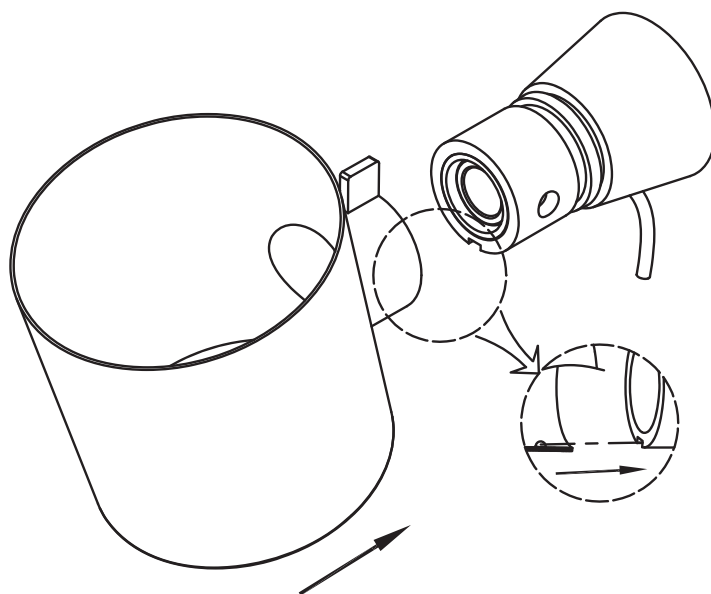
6



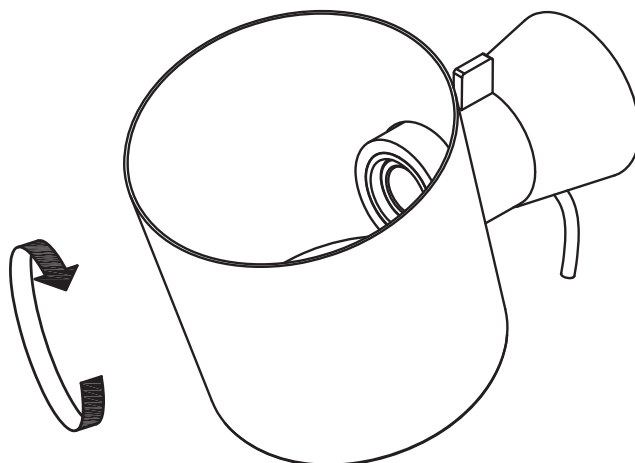
7



8



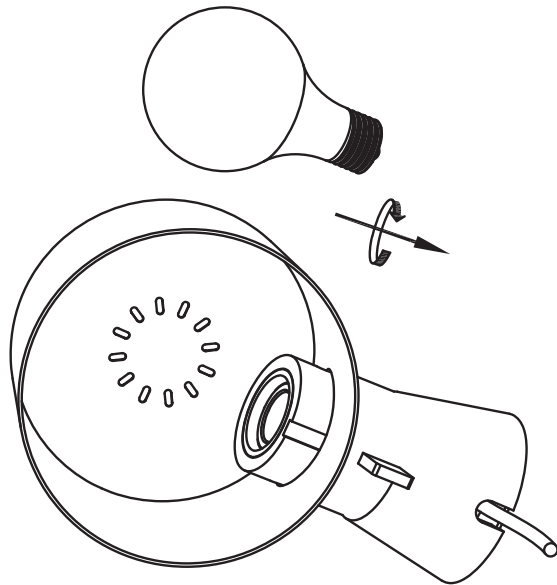
9



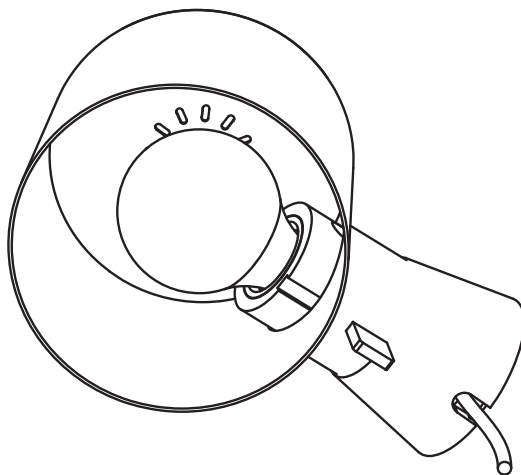
normann

C O P E N H A G E N

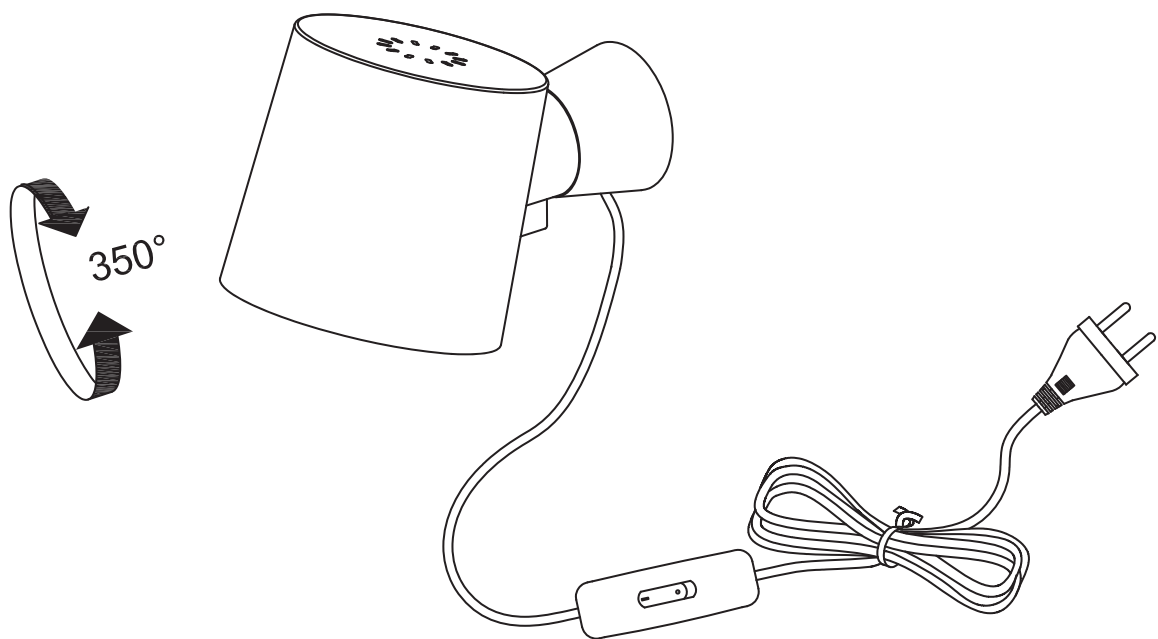
10



11



12



normann

C O P E N H A G E N

13

Safety instructions

Please note the information contained in these instructions and save this manual, also when lamp is already mounted.

General instructions:

- Electrical connections may only be carried out by qualified staff.
- The manufacturer does not accept responsibility for injuries or defects caused by improper use of this lamp.
- Attention! Before starting the installation, disconnect the power by turning off the circuit breaker, or by removing the fuse at the fuse box.
- Mind to use this lamp for its predetermined function. For example don't mount indoor lamps in outdoor areas.
- Please check all components are complete before installing.
- Don't cover the lamp.
- Don't connect the lamp to power and don't switch it on when it's in packing.
- Bulbs and transformers get very hot during operating. At improper use there is the risk of fire and by changing the bulb you can hurt yourself. Always let cool down!
- If the external flexible cable or cord is damaged, it shall be exclusively replaced by the manufacturer or his service agent or a similar qualified person in order to avoid a hazard.
- Please ensure that the specified bulb type and power of bulb is used. the maximal wattage shouldn't be exceeded (find the bulb symbol and the "max ... W" on rating label or on lamp).
- Do not mount the lamp on wet or conducting background.
- Make sure that the cables or cords don't get damaged during installation.
- The given main voltage (230V/50Hz) shall not be exceeded.
- Plug and connection elements must be free of tensile strength and torsion force.
- Don't touch bulbs with bare hands.

Maintenance instructions:

- Before cleaning, disconnect the power by turning off the circuit breaker, or by removing the fuse at the fuse box.
- Mind to clean the surfaces of lamp only.
- Wetness shouldn't get in terminal box or to any conducting part.
- Before you start to clean let it cool down for 10 minutes!
- Cleaning with a soft dry cloth only.

Advice for environmental care:



Don't put this article to normal domestic waste after the end of its lifecycle.

You have to bring it to a staging area for electrical wastes.

The materials are recyclable according to their specifications.

With the correct recycling of these materials you can make a significant contribution to environmental protection.

Ask your local authority for next staging area.

CE marking:

By affixing the CE marking to a product, a manufacturer declares that the product meets all the legal requirements for CE marking and can be sold throughout the European Economic Area (EEA).

Rise

SoMe Captions

Rise Lamp News – Brushed stainless steel

- Introducing a new shade of Normann Copenhagen's Rise Lamp: Brushed stainless steel. The new shade lends a more industrial look to the lamp.
- A design that emphasizes a minimalistic, yet a friendly expression, the Rise Lamp is now introduced in one new and refreshing shade, Brushed stainless steel. It lends the lamp a more industrial appearance.

Rise Lamp

- Wall lamps are an ideal option for bedroom lighting in small rooms as they free up nightstand space, while adding a soothing light for reading and waking up. Wall lamps with rotating shades like Rise Wall Lamp make it possible to adjust the direction of the light as needed, making it perfect as both a reading lamp in the bedroom and as mood lighting.
- The Rise Lamp comprises a wooden ash base and an industrial cylindrical shade. Find the perfect lighting by rotating the shade up to 350 degrees. Rise is available with a lamp shade in brushed stainless steel for a more industrial look, or in powder coated steel in White, Black, Grey, Petroleum Green or Yellow.
- Rise is the uncomplicated and versatile wall lamp you have always been looking for. Strict lines are gently softened by stumpy sections, creating an attractive blend of a minimalistic design and a friendly appearance. Available in White, Black, Grey, Petroleum Green, Yellow or in brushed stainless steel.

Rise

SoMe Captions

Rise Lamp

- Wall lamps are an ideal option for bedroom lighting in small rooms as they free up nightstand space, while adding a soothing light for reading and waking up. Wall lamps with rotating shades like Rise Wall Lamp make it possible to adjust the direction of the light as needed, making it perfect as both a reading lamp in the bedroom and as mood lighting.
- The Rise Lamp comprises a wooden ash base and an industrial cylindrical shade. Find the perfect lighting by rotating the shade up to 350 degrees.
- Rise is the uncomplicated and versatile wall lamp you have always been looking for. Strict lines are gently softened by stumpy sections, creating an attractive blend of a minimalistic design and a friendly appearance.

Connecting People and Spaces

Since Normann Copenhagen's foundation in 1999, our ambition has been to challenge conventional thinking and make the ordinary extraordinary through great design. By combining the craftsmanship, functionality and endurance characterized by our Danish design heritage with modern silhouettes and durable materials, we aim to create original products in a contemporary design that withstand the test of time. We believe in uniting people and spaces across the world and improving the quality of people's lives through the power of great design. Our products combine functionality and design and accommodate the diversity of needs of modern life in residential and professional interiors alike.

Press Info

For high resolution images and press releases for all products and events in English, German, French, Italian and Danish go to normann-copenhagen.presscloud.com

For further information or loan requests for editorial photoshoots please contact

Anna Willerslev
PR & Social Media Manager
anna@normann-copenhagen.com